

The 120V EmeryAllen E12 retrofit lamp is an energy efficient alternative to incandescent E12 base lamps. It offers similar light output to a 120V, 75W incandescent (950lm) and is suitable for use in most 120V E12 fixtures.

Base Type	E12
Material	Ceramic + PC
Input Voltage	100-130V AC
Wattage	9.5
CRI	90+
Brightness	950 lumens
Lumens/Watt	100
Color Temperature	2700K, 3000K
Halogen Equivalent	75W
Beam Angle	360 degrees
Life	25,000 hours
Warranty	Limited Lifetime*

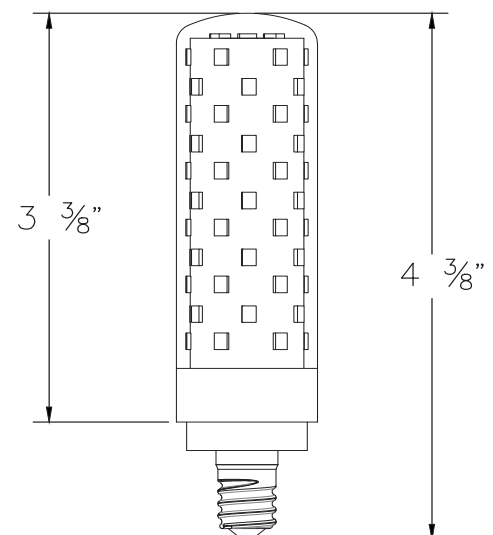
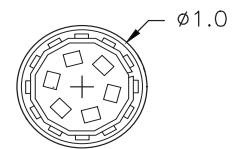
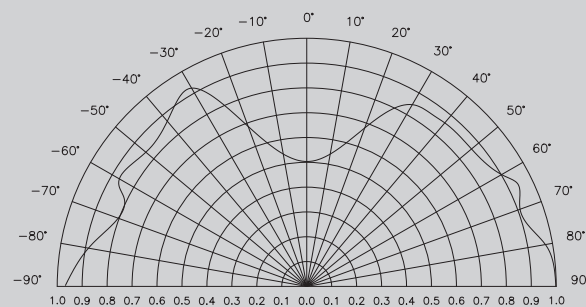
Available Models:

- EA-E12-9.5W-001-279F-D (2700K)
- EA-E12-9.5W-001-309F-D (3000K)

Dimming:

- Dimmable with most incandescent and LED dimmers.

Light Distribution



DAMP LOCATION & ENCLOSED FIXTURE