

The 120V EmeryAllen E26 retrofit lamp is an energy efficient alternative to incandescent E26 base lamps. It offers similar light output to a 120V, 75W incandescent (950lm) and is suitable for use in most 120V E26 fixtures.

<b>Base Type</b>	E26
<b>Material</b>	Ceramic + PC
<b>Input Voltage</b>	100-130V AC
<b>Wattage</b>	9.5
<b>CRI</b>	90+
<b>Brightness</b>	950 lumens
<b>Lumens/Watt</b>	100
<b>Color Temperature</b>	2700K, 3000K
<b>Halogen Equivalent</b>	75W
<b>Beam Angle</b>	360 degrees
<b>Life</b>	25,000 hours
<b>Warranty</b>	Limited Lifetime*

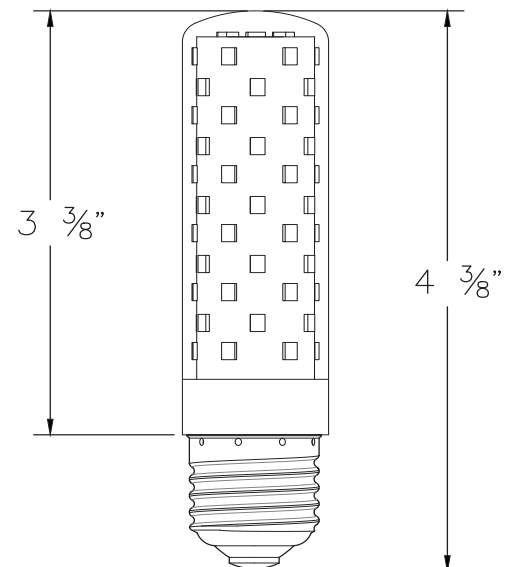
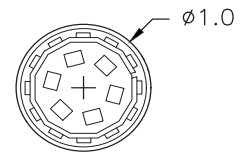
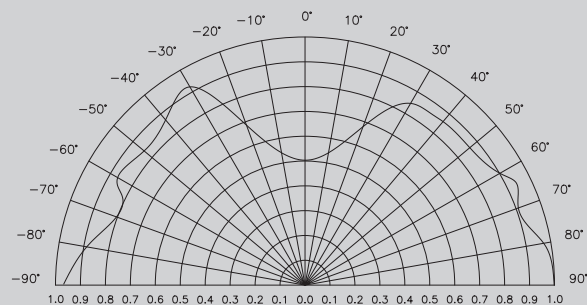
#### Available Models:

- EA-E26-9.5W-001-279F-D (2700K)
- EA-E26-9.5W-001-309F-D (3000K)

#### Dimming:

- Dimmable with most incandescent and LED dimmers.

#### Light Distribution



DAMP LOCATION & ENCLOSED FIXTURE