

# INSTALLATION INSTRUCTIONS

## DUAL HEAD LED EMERGENCY LIGHTING FIXTURE



### IMPORTANT:

The battery in this unit may not be fully charged after electricity is connected to the unit, let the battery charge for at least 24 hours. Normal operation of this unit should then take effect. To check, press the push-to-test switch, the light inside the unit should then turn on.

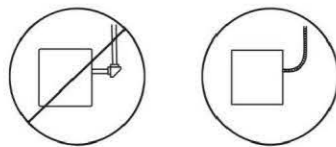
### IMPORTANT SAFEGUARDS:

When using electrical equipment, basic safety precautions should always be followed including the following:

### READ AND FOLLOW ALL SAFETY INSTRUCTIONS:

1. Do not use outdoors
2. Equipment should be mounted in locations and at heights where it will not be subject to tampering by unauthorized personnel.
3. Do not mount near gas or electric heaters.
4. The use of accessory equipment that is not recommended by the manufacturer may cause an unsafe condition.
5. Do not use this equipment for other than its intended use.
6. Servicing of this equipment should be performed by qualified personnel.
7. Disconnect AC power before servicing.

### SAVE THESE INSTRUCTIONS!



**FLEXIBLE CONDUIT ONLY**

### INSTALLATION (J-BOX MOUNTING):

1. Feed fixture leads through back plate and connect AC power supply (Fig A).
2. Connect wires through J-Box. Mount back plate on J-Box and secure with screws.
3. Connect battery only after continuous AC power can be provided to the unit (Fig B).
4. Align snaps and push housing directly onto main bottom case (Fig C). Apply continuous AC power and press "TEST" button to check light.

### INSTALLATION (CONDUIT):

1. Secure back plate to wall surface. Route wires through hole in conduit flange and make conduit connection.
2. Connect battery only after continuous AC power can be provided to the unit (Fig B).
3. Align snaps and push housing directly onto back plate (Fig C). Apply continuous AC power and press "TEST" button to check light.



Fig. A (J-Box)

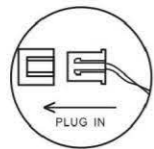


Fig. B



Fig. C

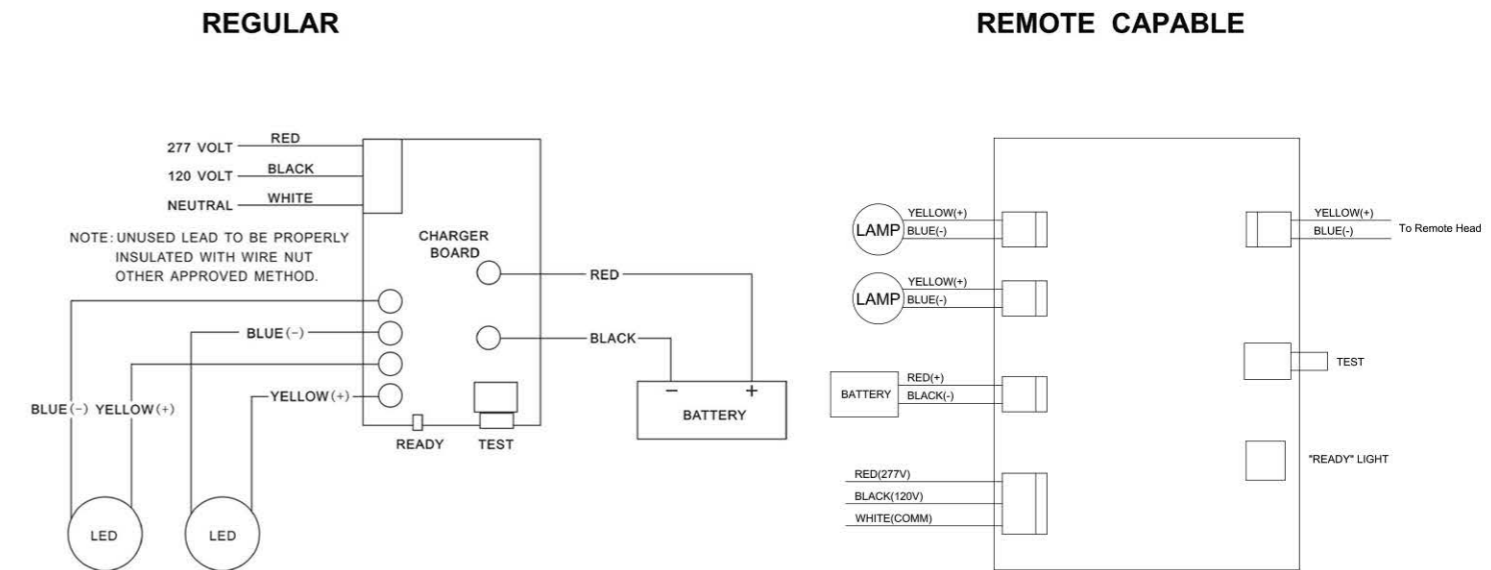
### WARNING:

Unused wires must be capped using enclosed wire nuts.

### OPERATION:

1. During an electrical power failure, the lamps will automatically come on for a minimum of 90 minutes.
2. To test, depress the "TEST" switch. The emergency lamps will illuminate. When the switch is released, the lamps will go off.

### WIRING DIAGRAM:



### NOTE:

Use 18-22 AWG stranded wire to connect remote lamp heads