

Key Features & Benefits:

- Innovative Design Enables Easy Installation
- Wide AC Input Voltage Range of 200–528VAC
- 20' Cord Set
- Standard 20 Year Warranty
- Precise Lighting with Various Beam Options

Project: _____

Date: _____

Catalog #: _____

Notes: _____

Technical Specifications:

Wattage: 550 Watts
 Kelvin: 5000K
 Lumen Output: Up to 88,937 Lumens
 Efficacy (lm/W): Up to 162 Lumens per Watt
 CRI: >70
 Power Frequency: 50/60Hz
 Power Factor: >0.9
 Operating Temperature: -40°F to 122°F (-40°C to 50°C)
 Effective Projected Area (EPA): 3.17 square ft
 Input Voltage: 200–528 VAC
 Input Cord Length: 20'
 Overall Dimensions (LxWxH): 33.52" x 20.6" x 18.5"
 Base Dimension (LxWxH): 20.34" x 18.8" x 2.3"
 Box Dimension (LxWxH): 13.78" x 17.56" x 2.3"
 Weight: 57.69lb



Ordering Guide:

ESL	TYPE	WATTS	GENERATION	KELVIN	BEAM ANGLE
ESL	SPT (SPT) Sport Light	550W (550W) 550 Watts	2 (2) 2nd Generation	5000K (50) 5000 Kelvin	(bb) (20) 20 Degree (30) 30 Degree (40) 40 Degree (50) 50 Degree

FIELD INSTALLED ACCESSORIES

ESL-SPT-LASER	Sports Light Laser Aiming Device
Synapse Wireless Control System	Contact Rep to Build

Catalog Data:

ITEM#	WATTAGE	KELVIN	LUMENS	EFFICACY lm/W	INPUT VOLTAGE
ESL-SPT-550W-250-20	550W	5000K	88,937	162	200–528 VAC
ESL-SPT-550W-250-30			88,811	161	
ESL-SPT-550W-250-40			87,733	161	
ESL-SPT-550W-250-50			88,608	161	
ESL-SPT-850W-250-20	850W	5000K	145,117	171	200–528 VAC
ESL-SPT-850W-250-30			144,100	170	
ESL-SPT-850W-250-40			143,210	168	
ESL-SPT-850W-250-50			142,032	167	

Electrical Load – Wide Input Voltage:

SYSTEM WATTS	INPUT CURRENT	INPUT VOLTAGE	INPUT FREQUENCY	POWER FACTOR	THD	OPERATING TEMPERATURE	SURGE PROTECTION	DIMMING	
550	208 VAC	200–528 VAC	50/60 Hz	>0.9	<15%	-40°F to 122°F (-40°C to 50°C)	6kA Driver 20kA Stand Alone	0–10	
	240 VAC								2.64
	277 VAC								2.29
	347 VAC								1.99
	480 VAC								1.59
	528 VAC								1.15

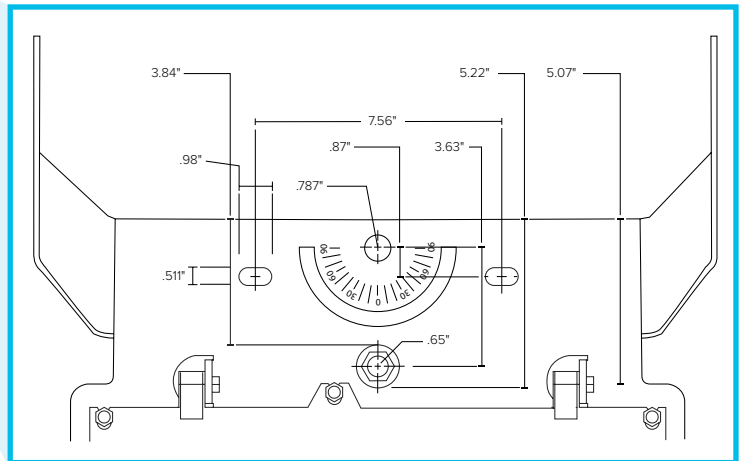
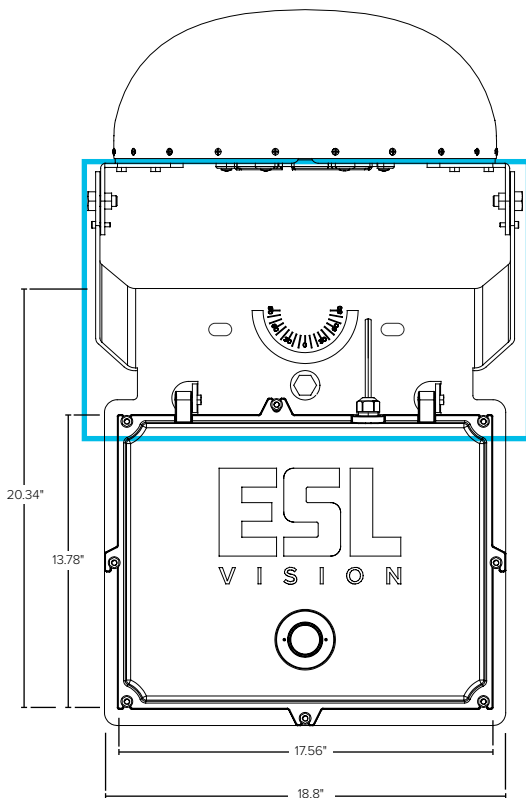
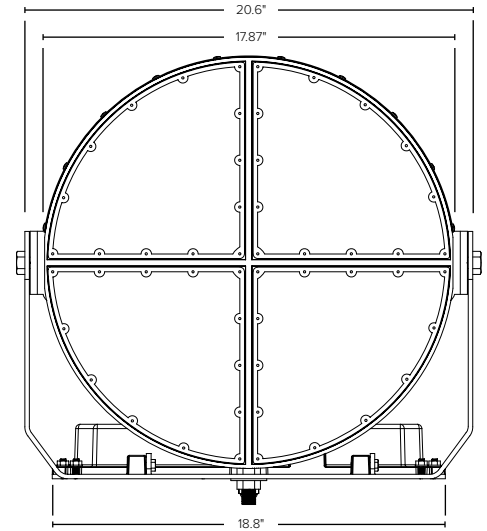
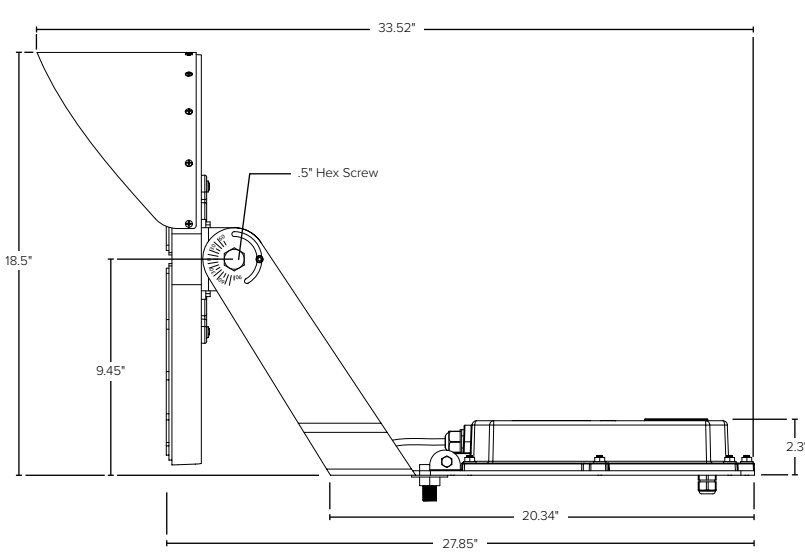
SYSTEM WATTS	INPUT CURRENT	INPUT VOLTAGE	INPUT FREQUENCY	POWER FACTOR	THD	OPERATING TEMPERATURE	SURGE PROTECTION	DIMMING	
850	208 VAC	200–528 VAC	50/60 Hz	>0.9	<15%	-40°F to 122°F (-40°C to 50°C)	6kA Driver 20kA Stand Alone	0–10	
	240 VAC								4.09
	277 VAC								3.54
	347 VAC								3.07
	480 VAC								2.45
	528 VAC								1.77

Lumen Ambient Temperature (LAT) Multipliers:

AMBIENT	LUMEN MULTIPLIER
0 °C 32 °F	1.02
10 °C 50 °F	1.01
20 °C 68 °F	1.00
25 °C 77 °F	1.00
30 °C 86 °F	1.00
40 °C 104 °F	0.99
50 °C 122 °F	0.96

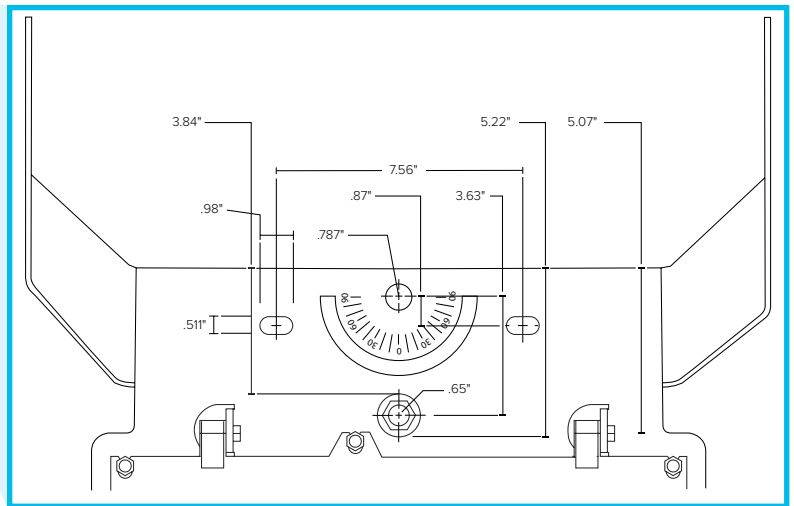
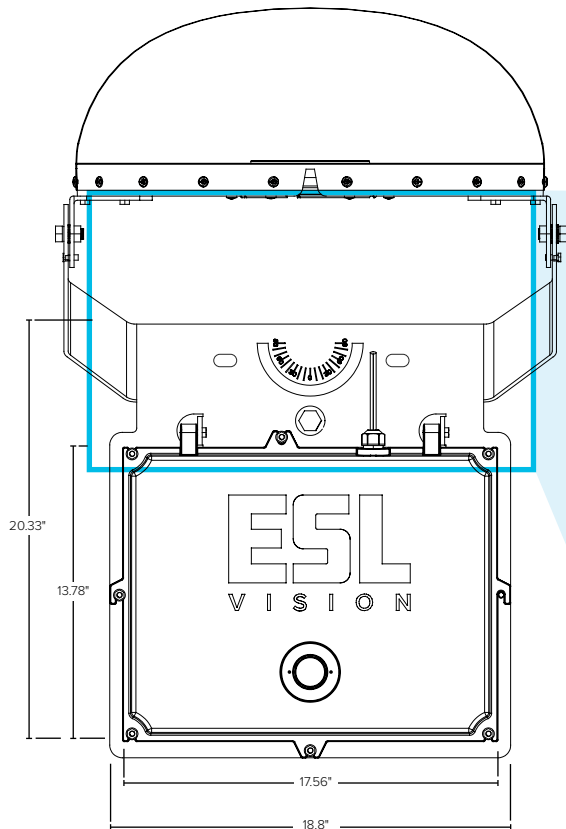
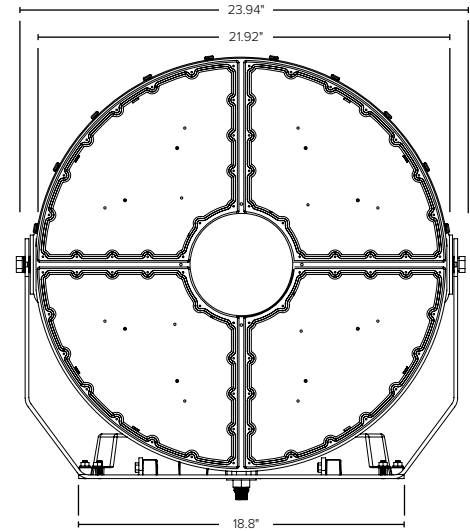
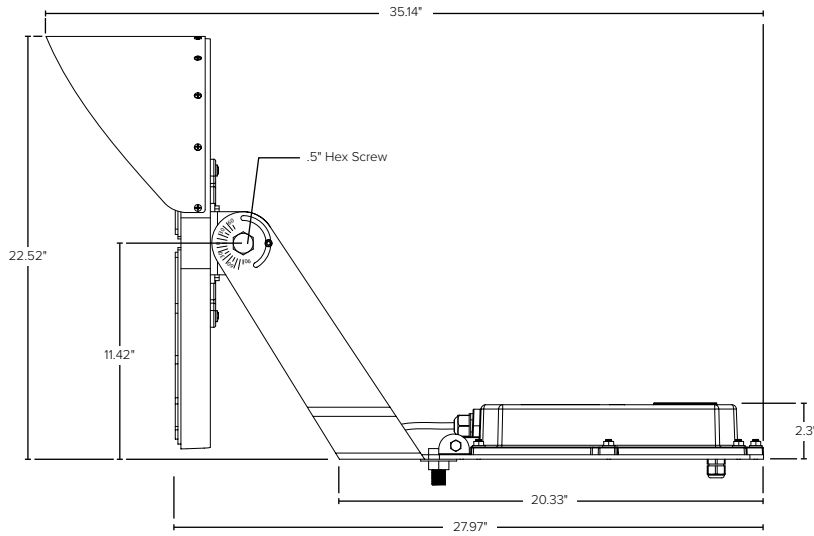
Dimensions:

550W



Dimensions:

850W





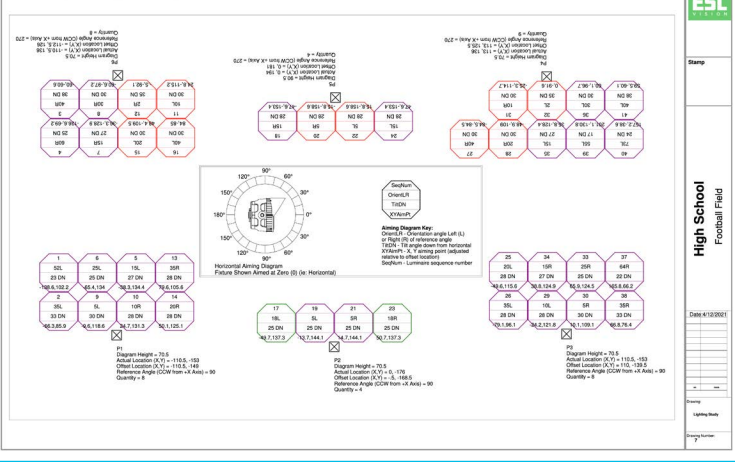
Precision Lighting:

ESL Vision offers lighting layouts with illuminance calculations and aiming diagrams for pin-point precision in creating the optimal lighting for any venue. With a 150° tilt range, a 180° orient range and the optional aiming laser, finding the exact orientation for each fixture is quick and easy.

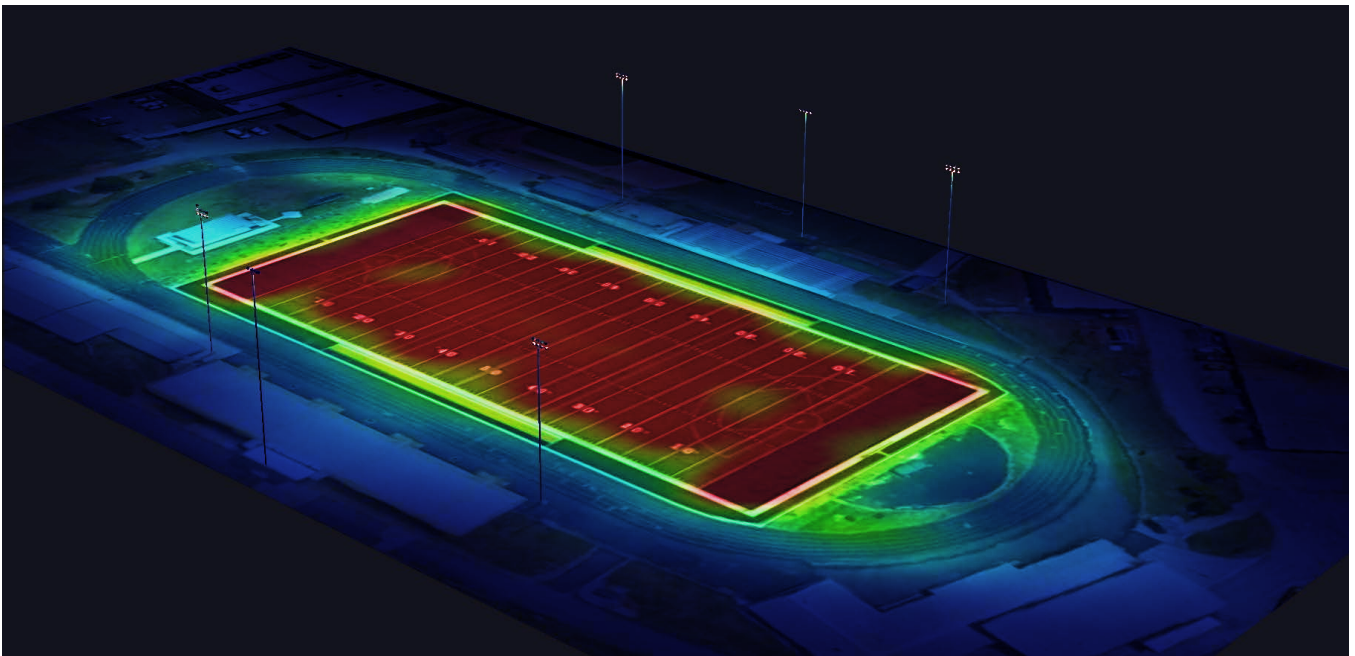
ILLUMINANCE CALC.

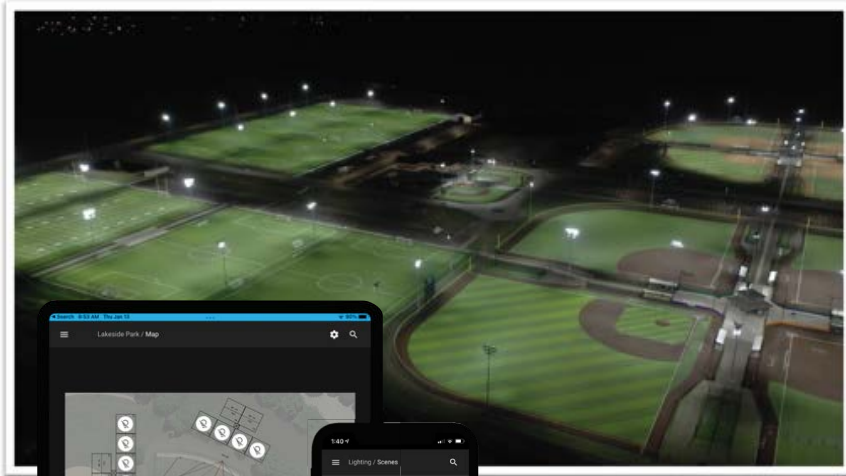


AIMING DIAGRAMS



ILLUMINANCE RENDERING





SYNAPSE

SYNAPSE WIRELESS CONTROL SYSTEM

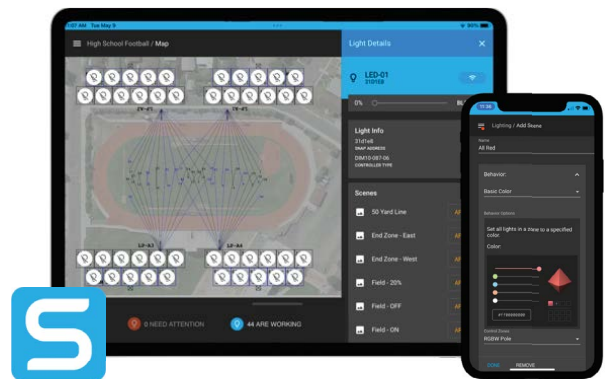
ESL Vision offers the Synapse Wireless Control System for our Stadia Lighting Series. This system utilizes integrated wireless controllers to connect each light to the Synapse SimplySnap Mesh Network. Here the status and programming of each light in the network can be addressed using a web browser based user interface. The user can choose to use **SimplySnap Local** or **SimplySnap Cloud LM-Base** to connect to each light in the system. The SNAP system offers enhanced back-up, management of multiple sites, outage notifications and performance reports.

- SIMPLE INSTALLATION ALLOWS FOR EASY PRE OR POST INSTALLATION
- WIRELESSLY CONTROL DYNAMIC LIGHTING SETTINGS FROM YOUR PHONE, COMPUTER OR BASE STATION
- CONTROL INDIVIDUAL FIXTURES OR GROUPS OF FIXTURES
- CREATE CUSTOM SCENES OR DYNAMIC BEHAVIORS



SimplySnap Local

- Local management of lights, zones, scenes and schedule
- No internet required
- Built-in WiFi AP or Ethernet
- Browser based app
- Push-button control (CBS)



SimplySnap Cloud LM-Base

- Progressive web app
- Cloud map, scenes and schedules
- Access from anywhere
- Multi-site management
- Single UI across multiple gateways
- Energy reporting
- Cloud user account levels
- Automatic Backups

CONTACT YOUR REPRESENTATIVE TO LEARN MORE

