

LED Round High Bay

The ProGem LED Round High Bay, 160 lm/W, IP65 Wet Location Rated, Dimmable + Smart Inside

FEATURES

Lumen Output	16000 to 38400 lumens
Efficacy	160 lm/W
Input Voltage	120-277V
Dimmable	0-10V Continuous
CCT	4000K or 5000K
Rating	IP66 Wet Location
Protection	IK10/20J, 6kV
Warranty	7 Years

APPLICATIONS

Premium indoor luminaire for hanging or pendant mounting in high ceiling spaces above 25 feet. Suitable for gymnasiums, warehouses, manufacturing, packaging, storage, aisles, and covered decks.

CONSTRUCTION

Manufactured for durability using solid heavy duty die cast aluminum housing with anti-UV polyester coating to resist water, corrosion, discoloration, and scratching. IP65 Wet Location for dust-tight, water jets: IEC 60529. Impact Protection IK10, 20 joules: IEC 62262:2002.

ELECTRICAL

Input voltage 120-277V with 0-10V Continuous Dimming. Operating temperatures -40°F to 122°F (-40°C to 50°C). Surge Protection Rating 6kV: IEC 61000-4-5.

MOUNTING

Steel Hook Mount for hanging standard. Optional adjustable Yoke Mount for surface mounting available.

OPTICS

Anti-UV Clear Polycarbonate Lens standard. Optional anti-UV Frosted Polycarbonate Lens available. Prismatic Acrylic Reflectors with 60, 90, and 120 Degree Beam Spread available.

CONTROLS

Fixture integrated Smart Sensor for Photocell with Bi-Level Motion Dimming and Remote Control available.

LISTINGS

DLC Premium listed. UL certified to meet US and Canadian standards. FCC and RoHS compliant.

WARRANTY

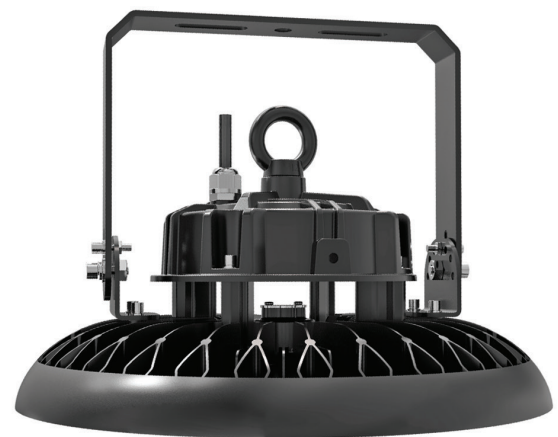
7 year exclusive limited warranty. View complete product warranty information <https://etheriumled.com/warranty/>.

Project:
Date:
Catalog No:
Prepared By:

Integrated Smart Sensor available



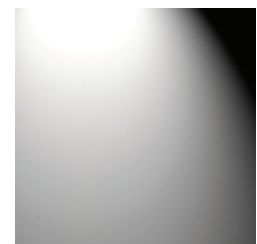
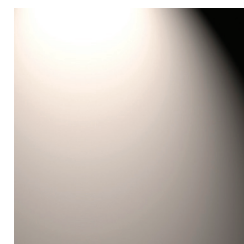
Shown with adjustable Yoke Mount



CORRELATED COLOR TEMPERATURES (CCT)

4000K

5000K



SPECIFICATIONS

ENERGY DATA

Input Voltage: 120-277V
Input Frequency: 50/60 Hz
Wattage: 100W, 150W, 200W, 240W
Power Factor: >0.9
Total Harmonic Distortion (THD): <10%
Operating Temperature: -40°F to 122°F (-40°C to 50°C)

LIGHTING DATA

Lumens: 16000, 24000, 32000, 38400
Lumens Per Watt: 160 lm/W
Color Correlated Temperature (CCT): 4000K, 5000K
Dimmable: 0-10V
Color Rendering Index (CRI): >80
L70: 75000 hours

ORDERING INFORMATION

Model	Wattage	Voltage	Current	Lumens	Efficacy	CCT	Color	Dimensions	Weight
ETH-UFO-100W-G3-4000K	100W	120-277V	0.83A@120V, 0.36A@277V	16000	160 lm/W	4000K	Black	ø11.73"C x 6.00"H	6.24 lbs
ETH-UFO-100W-G3-5000K	100W	120-277V	0.83A@120V, 0.36A@277V	16000	160 lm/W	5000K	Black	ø11.73"C x 6.00"H	6.24 lbs
ETH-UFO-150W-G3-4000K	150W	120-277V	1.25A@120V, 0.54A@277V	24000	160 lm/W	4000K	Black	ø11.73"C x 6.00"H	6.24 lbs
ETH-UFO-150W-G3-5000K	150W	120-277V	1.25A@120V, 0.54A@277V	24000	160 lm/W	5000K	Black	ø11.73"C x 6.00"H	6.24 lbs
ETH-UFO-200W-G3-4000K	200W	120-277V	1.67A@120V, 0.72A@277V	32000	160 lm/W	4000K	Black	ø11.73"C x 6.00"H	6.24 lbs
ETH-UFO-200W-G3-5000K	200W	120-277V	1.67A@120V, 0.72A@277V	32000	160 lm/W	5000K	Black	ø11.73"C x 6.00"H	6.24 lbs
ETH-UFO-240W-G3-4000K	240W	120-277V	2.00A@120V, 0.87A@277V	38400	160 lm/W	4000K	Black	ø14.09"C x 6.00"H	8.69 lbs
ETH-UFO-240W-G3-5000K	240W	120-277V	2.00A@120V, 0.87A@277V	38400	160 lm/W	5000K	Black	ø14.09"C x 6.00"H	8.69 lbs

Optics		Mount		Sensor		Accessory	
ETHUFOPLENSS	Frosted Polycarbonate Lens (Fits 100W, 150W, 200W)	ETHUFOG3YM	Yoke Mount (Adjustable) (100W, 150W, 200W)	SMART	Smart Sensor for Photocell and Bi-Level Motion Dimming	RC	Remote Control to Program Sensor
ETHUFOPLENSL	Frosted Polycarbonate Lens (Fits 240W)	ETHUFOG3YML	Yoke Mount (Adjustable) (240W)	(Blank)	None	(Blank)	None
ETHUFOG3PCR60S	Prismatic Acrylic Reflector - 60 Degrees (Fits 100W, 150W, 200W)	(Blank)	None (Includes Hook)				
ETHUFOG3PCR60L	Prismatic Acrylic Reflector - 60 Degrees (Fits 240W)						
ETHUFOG3PCR90S	Prismatic Acrylic Reflector - 90 Degrees (Fits 100W, 150W, 200W)						
ETHUFOG3PCR90L	Prismatic Acrylic Reflector - 90 Degrees (Fits 240W)						
ETHUFOG3PCR120S	Prismatic Acrylic Reflector - 120 Degrees (Fits 100W, 150W, 200W)						
ETHUFOG3PCR120L	Prismatic Acrylic Reflector - 120 Degrees (Fits 240W)						
(Blank)	None						

ORDERING GUIDE

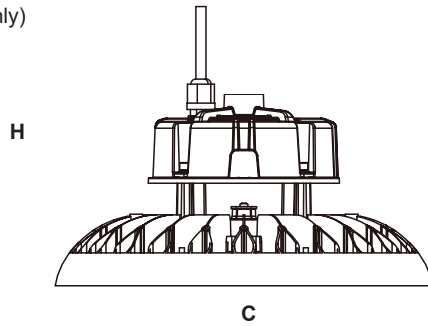
ETH	UFO	100W	G3	4000K	ETHUFOPLENSS	ETHUFOG3YM	SMART	RC
ETH	Application	Wattage	Group	CCT	Optics	Mount	Sensor	Accessory



PHYSICAL DIMENSIONS

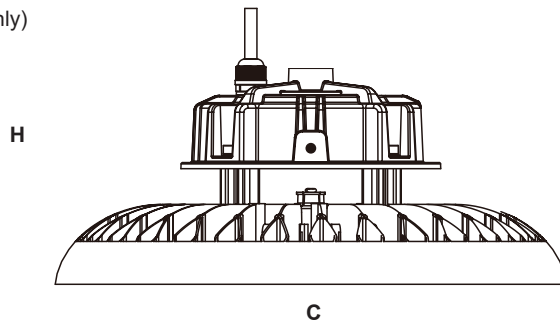
100W, 150W, and 200W Models

ø11.73”C x 6.00”H (Luminaire only)

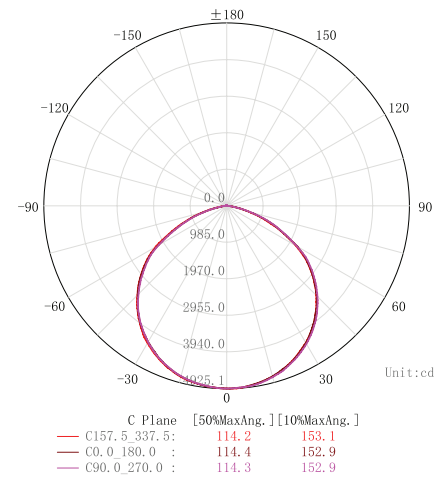


240W Models

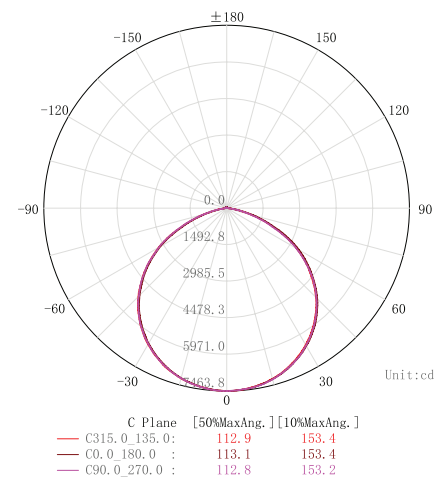
ø14.09”C x 6.00”H (Luminaire only)



ETH-UFO-200W-G3-XXXXK (277V)



ETH-UFO-240W-G3-XXXXK (277V)



SHIPPING INFORMATION

Model Wattage	Unit Weight	Shipping Dimensions	Shipping Weight	Quantity /Box
100W, 150W, and 200W	6.24 lbs	12.91”L x 12.91”W x 6.69”H	7.62 lbs	1
240W	8.69 lbs	15.28”L x 15.28”W x 6.69”H	10.41 lbs	1

PIR ISM Band Smart Sensors & Remotes

Remote program ProGem™ LED Round High Bay - PRI ISM Band Smart Sensor functions to automate and control sensitivity and brightness levels for daylight, standby dimming, and motion detection. Includes patented sensor antenna design with two detection modes: 1) High Sensitivity Detection and 2) Interference Immunity Detection

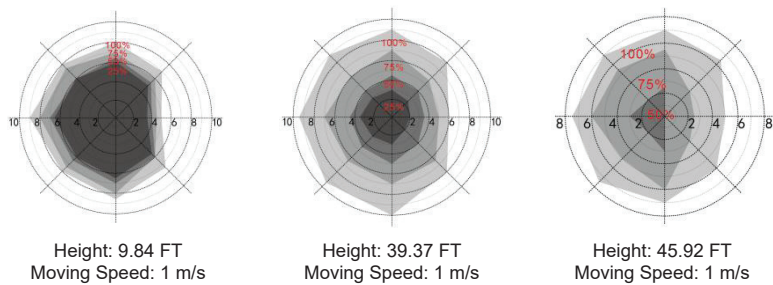
Project:
Date:
Catalog No:
Prepared By:

TECHNICAL DATA

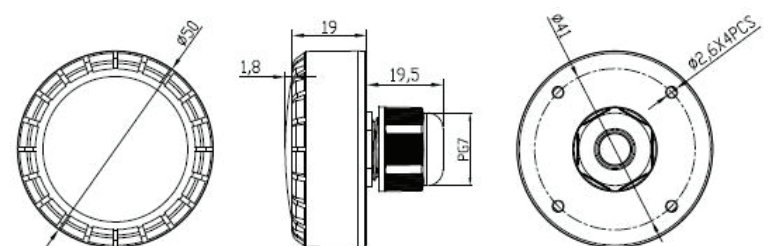
Operating Voltage	N/A
Rated Voltage	12VDC±1V
Operating Current	30mA±5%
Output	0-10V
Standby Power	≤0.3W
Detection Area	25%, 50%, 75%, 100%
Detection Angle	360° Ceiling Mounted
Hold Time	5 sec, 30 sec, 1 min, 3 min, 5 min, 10 min, 20 min, 30 min
Daylight Threshold	5Lux, 15Lux, 30Lux, 50Lux, 100Lux, 150Lux, Disable
Standby Period	0 sec, 10 sec, 1 min, 3 min, 5 min, 10 min, 30 min, + ∞
Standby Dimming Level	10%, 20%, 30%, 50%
Operating Frequency	5.8GHz±75MHz, ISM Band
Transmitting Power	1mW Max
Mounting Height	49.2 FT Max Height
Detection Range	Max, Ø 45.92 FT
Operating Temperature	-31°F to 158°F (-35°C to 70°C)
Motion Detection	0.3~1.0 m/s
Warranty	5 Years

DETECTION RANGE

Detection range shown in feet of ProGem LED Round High Bay installed at the maximum height of 49.2 FT.



PHYSICAL DIMENSIONS



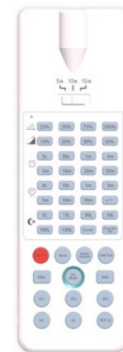
ETHUFOMMS12V

Daylight, Standby Dimming, and Motion Sensor



ETHUFORM

Sensor Remote Control



PHYSICAL PROPERTIES

