



PRODUCT FEATURES

- ANSI Designation: S54
- Line Voltage: 120
- Regulation: 5%
- Frequency: 60 Hz
- Recommended Fuse (A): 10
- Circuit Type: R-NPF/R-HPF
- Insulation Class: 180°C
- Capacitor Value: 46 MF (for HPF)
- Capacitor Voltage Rating: 120 V
- Capacitor Temperature Rating: 90°C
- Winding Materials: Cu/Cu
- Lamp Starter: XG-01
- Agency Certification: RU, cRU
- Maximum Distance to Lamp: 3 FT
- 2 Year Warranty

LAMP TYPE: 100W HPS

INPUT VOLTAGE: Single (120V)

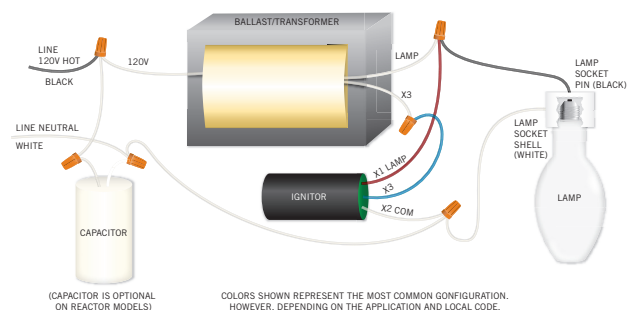
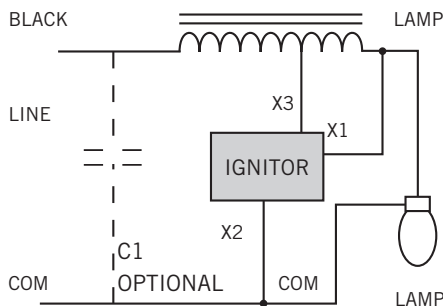
CIRCUIT TYPE: R-NPF/R-HPF

ELECTRICAL SPECIFICATIONS

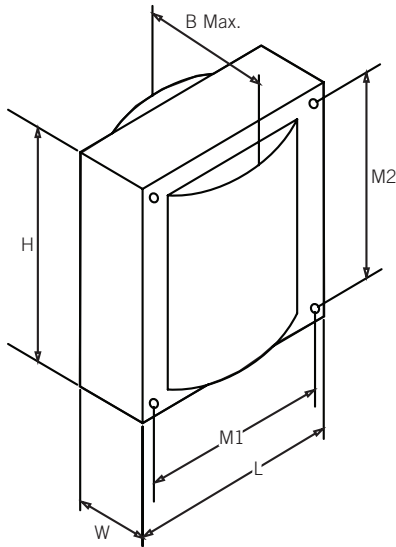
LINE VOLT (V)	POWER FACTOR	LINE CURRENT			INPUT POWER (W)	OPEN CIRCUIT VOLTAGE (V)	MINIMUM START TEMP	UL TEMP CODE	WIRING DIAGRAM
		OPERATING	OPEN	START					
120	NPF	2.26	N/A	2.92	109	120V	-40°C	A	H1

WIRING DIAGRAMS

DIAGRAM H1



CASE STYLE/DIMENSIONS



OVERALL DIMENSIONS

LENGTH: 2.64"
WIDTH: 2.25"
HEIGHT: 1.54"
B MAX: 2.72"

MOUNTING HOLES

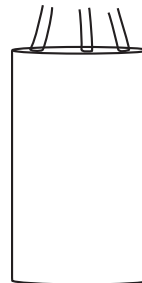
DIAMETER: 0.203"
M1: 2.19"
M2: 1.79"

BRACKET DIMENSIONS

LENGTH: -
WIDTH: -

LEAD LENGTH: 12-14"

BALLAST NET WEIGHT: 2.50 lbs



IGNITOR INFO

LAMP TYPE: High Pressure Sodium
WATTAGE: 100
TYPE: XG-01

ORDERING INFORMATION

ORDER CODE	PACKAGING STYLE	PACK QTY.	ITEM STATUS
HPS-100R-1-KIT		1	Quick Ship
*Kit Includes: Pre-Wired Ballast, Ignitor, Mounting Brackets, Mounting Hardware			

CATALOG NUMBER BREAKDOWN

HPS-100R-1-KIT

