



HPS-400A-480-KIT

400W HIGH PRESSURE SODIUM

DESCRIPTION

400W High Pressue Sodium



LAMP TYPE: 400W HPS

INPUT VOLTAGE: Single Tap (480)

CIRCUIT TYPE: CWA

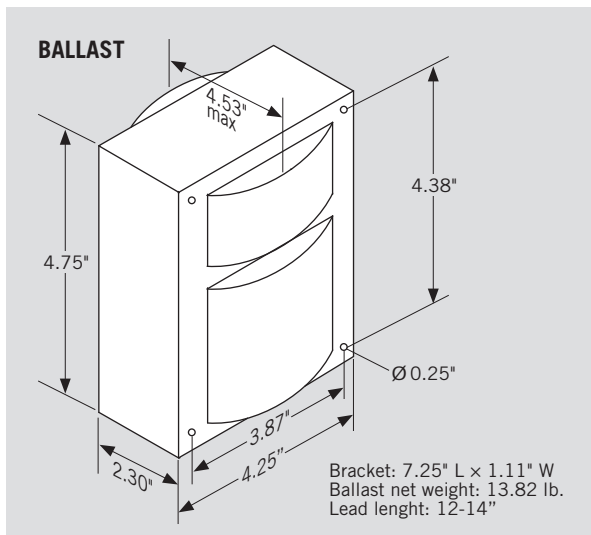
PRODUCT FEATURES

- ANSI designation: S51
- Line voltage: 480
- Regulation: 10%
- Frequency: 60 Hz
- Recommended fuse (A): 5
- Circuit type: CWA
- Insulation class: 180°C/356°F
- Capacitor value: 55 MF
- Capacitor voltage rating: 300 V
- Capacitor temperature rating: 90°C/194°F
- Winding materials: Cu/Cu
- Lamp starter: XG-02
- Agency certification: RU, cRU
- Maximum distance to lamp: 10 ft
- 2 Year Warranty

ELECTRICAL CHARACTERISTICS

Line Voltage	Power Factor	Line Current			Input Power	Open Circuit Voltage	Minimum Start Temp	UL Temp Code	Wiring Diagram
		Operating	Open Circuit	Starting					
480V	High	1.03A	0.61A	0.72A	465W	190V	-40°C/-40°F	D	H9A

PHYSICAL SPECIFICATIONS

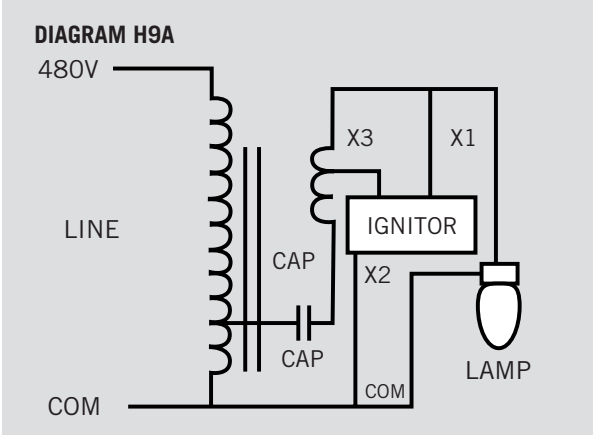




HPS-400A-480-KIT

400W HIGH PRESSURE SODIUM

WIRING SPECIFICATIONS



ORDERING INFORMATION

ORDER CODE	PACK QTY.	UPC	EASY CODE
HPS-400A-480-KIT	1	89094900731	TBD

CATALOG NUMBER BREAKDOWN

HPS-400A-480-KIT

- 1
- 2
- 3
- 4
- 5

- 1 High Pressure Sodium
- 2 Input Power
- 3 CWA Circuit
- 4 480V, Single Tap
- 5 HID Replacement Kit