



# ESSENTIAL SERIES

GENERAL PURPOSE LED BULBS

## KT-LED5.5FB11-E26-822-A

REPLACEMENT LAMP

### DESCRIPTION

5.5W B11 Lamp | 2200K |  $\geq 80$  CRI | Straight-tip Amber Chandelier



**LAMP TYPE:** Filament B11

**BASE TYPE:** E26 (Medium)

**WATTAGE:** 5.5W

**COLOR TEMPERATURE:** 2200K

**COLOR RENDERING INDEX (CRI):**  $\geq 80$

**WARRANTY:** 3 Years

**RATED LIFE:** L70 (15,000 Hours)



### TYPICAL APPLICATIONS

- Chandeliers
- Vanity Fixtures
- Decorative Accent Lighting
- Wall Sconces
- Pendant Lights

### PRODUCT FEATURES

- Energy efficient, 80%+ energy savings over legacy equivalents
- Lower heat generation than legacy equivalents
- Smooth, uniform dimming
- Filament-style LED construction offers unique traditional appearance for decorative and mood-sensitive applications
- Long life minimizes replacement and maintenance costs
- Suitable for use in damp locations
- Complies with Part 15 of FCC
- Operating temperature range  $-4^{\circ}\text{F}/-20^{\circ}\text{C}$  to  $95^{\circ}\text{F}/35^{\circ}\text{C}$
- PF  $> 0.70$
- Rated for open and enclosed fixtures
- ANSI compliant construction ensures fitment for intended applications
- UL Listed
- Meets Energy Star requirements

### ELECTRICAL AND PERFORMANCE SPECIFICATIONS

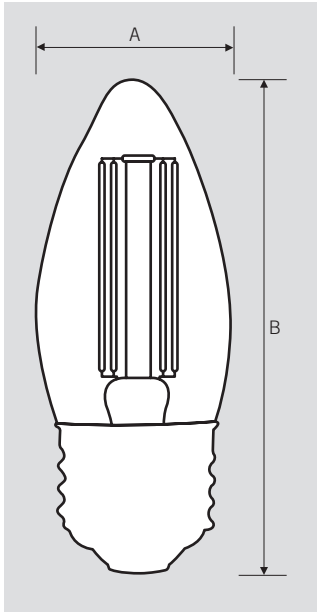
Keystone Catalog Number	Description	Color Temp*	Input Voltage	Rated Lamp Wattage	Legacy Equivalent Wattage	Lumens	Efficacy	CRI	Base Type	Beam Angle	Dimmable
KT-LED5.5FB11-E26-822-A	B11 straight-tip chandelier filament bulb; Amber; Dimmable	2200K	120V	5.5W	60W incandescent	500 lm	91 lm/W	$\geq 80$	E26	360°	Yes

\* Color Uniformity: CCT (Correlated Color Temperature) range as per guidelines outlined in ANSI C78.377-2017

# KT-LED5.5FB11-E26-822-A

## REPLACEMENT LAMP

### PHYSICAL CHARACTERISTICS



#### LAMP DIMENSIONS

A (Diameter)	1.38"
B (Length)	3.46"

BASE TYPE: E26 (Medium)

#### RATED LIFE

L70 (Hours)	15,000
-------------	--------

#### PACKAGING

Carton Quantity	24 pcs
Carton Dimensions	13.00" × 5.10" × 4.72"
Carton Weight	2.65 lbs

### ORDERING INFORMATION

ORDER CODE	CARTON QUANTITY	ENERGY STAR UNIQUE ID	EASY CODE	UPC
KT-LED5.5FB11-E26-822-A	24 pcs	2365962	KSV-98	843654129792

### CATALOG NUMBER BREAKDOWN

# KT-LED5.5FB11-E26-822-A

1 2 3 4 5 6 7 8 9

- 1 Keystone Technologies
- 2 LED Lamp
- 3 Wattage
- 4 Filament Bulb
- 5 Lamp Shape
- 6 Base Type
- 7 800 Series
- 8 Color Temperature
- 9 Amber Bulb