



KTEB-226-1-TP-DW

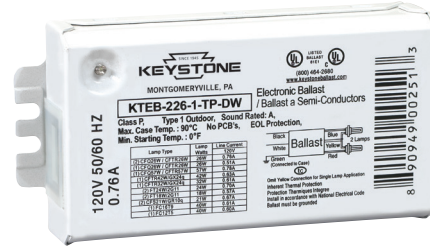
COMPACT FLUORESCENT ELECTRONIC BALLAST



DESCRIPTION

2 x 26W CFL | 120V Input | Normal Power Factor | Rapid Start

STARTING METHOD: Rapid Start
LAMP CONNECTION: Series
INPUT VOLTAGE: 120Vac ±10%
INPUT FREQUENCY: 50/60 Hz
POWER FACTOR: Normal
WARRANTY: 3 Years



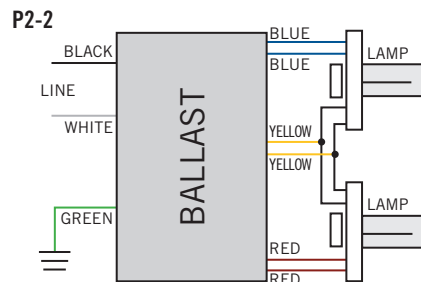
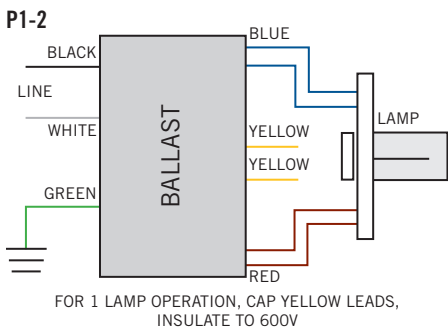
PRODUCT FEATURES

- Sound Rated: A
- Minimum Starting Temperature: 0°F, -18°C
- Maximum Case Temperature: 194°F, 90°C
- Meets FCC Part 18 (Class B) Consumer Limits
- Transient Protection Meets ANSI/IEEE C62.41 Cat. A
- Lamp End-of-Life Protected

ELECTRICAL SPECIFICATIONS

Lamp Type	No. of Lamps	Input Volts	Input Watts	Input Current	Power Factor	Crest Factor	Ballast Factor	Ballast Efficacy Factor	Max. THD	Wiring Diagram
CFQ26W/G24q	2	120V	53W	76A	>0.50	<1.70	0.99	1.87	150	P2-2
	1	120V	33W	51A	>0.50	<1.70	1.20	3.64	150	P1-2
CFTR26W/GX24q	2	120V	53W	76A	>0.50	<1.70	0.99	1.87	150	P2-2
	1	120V	33W	51A	>0.50	<1.70	1.20	3.64	150	P1-2
CFTR57W/GX24q	1	120V	55W	78A	>0.50	<1.70	0.88	1.60	150	P1-2
CFTR42W/GX24q	1	120V	43W	63A	>0.50	<1.70	0.91	2.12	150	P1-2
CFTR32W/GX24q	1	120V	40W	61A	>0.50	<1.70	1.10	2.75	150	P1-2
CFS21W/GR10q	2	120V	45W	67A	>0.50	<1.70	0.95	2.11	150	P2-2
FC16T9 40W	1	120V	41W	61A	>0.50	<1.70	1.00	2.44	150	P1-2
FC12T5 40W	1	120V	40W	60A	>0.50	<1.70	1.00	2.50	150	P1-2
FT18W/2G11	2	120V	38W	57A	>0.50	<1.70	0.95	2.50	150	P2-2
FT24W/2G11	2	120V	48W	70A	>0.50	<1.70	0.90	1.88	150	P2-2

WIRING DIAGRAMS





KTEB-226-1-TP-DW

COMPACT FLUORESCENT ELECTRONIC BALLAST

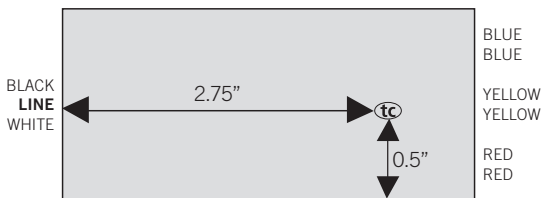
PHYSICAL SPECIFICATIONS

CASE DIMENSIONS

	LENGTH	5.00"
	WIDTH	2.40"
	HEIGHT	1.00"
	MOUNTING	4.63"
	CASE STYLE	W1

CASE MATERIAL: Metal

HOT SPOT LOCATION



Actual tc point is noted on each ballast label.

ORDERING INFORMATION

ORDER CODE	PACKAGING STYLE	PACK QTY.	ITEM STATUS
KTEB-226-1-TP-DW-CP	Carton	TBD	Active

CATALOG NUMBER BREAKDOWN

KTEB-226-1-TP-DW-CP

Keystone Technologies Electronic Ballast	2 Lamp	Wattage	120V Input	Thermal Protection	Dual Wire Connectors	Packaging Style
---	-----------	---------	---------------	-----------------------	-------------------------	--------------------