

PRODUCT FEATURES

- Sound Rated: A
- Minimum Starting Temperature: 0°F, -18°C
- Maximum Case Temperature: 167°F, 75°C
- Meets FCC Part 18 (Class B) Consumer Limits
- Transient Protection Meets ANSI/IEEE62.41 Cat. A
- Ballast frequency for all listed lamps: > 40KHz-52KHz
- Power Factor: High

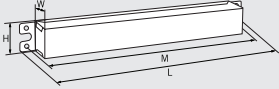
STARTING METHOD: Instant	INPUT VOLTAGE: 120-277VAC ±10%	WARRANTY: 5 Years
LAMP CONNECTION: Parallel	INPUT FREQUENCY: 50/60 Hz	BALLAST FACTOR (LIGHT OUTPUT): Normal

ELECTRICAL SPECIFICATIONS

LAMP TYPE	NO. OF LAMPS	INPUT VOLTS	INPUT WATTS	INPUT CURRENT (AMPS)	POWER FACTOR	CREST FACTOR	BALLAST FACTOR	BALLAST EFFICACY FACTOR	MAX THD%	WIRING DIAGRAM
F32T8 32W	2	120	55.0	0.46	0.99	<1.70	0.87	1.58	10	F2-4
		277	55.0	0.20	0.99	<1.70	0.87	1.58	10	F2-4
	1	120	33.0	0.28	0.99	<1.70	1.05	3.18	12	F1-4
		277	33.0	0.12	0.98	<1.70	1.05	3.18	12	F1-4
F32T8 30W	2	120	52.0	0.44	0.99	<1.70	0.87	1.67	10	F2-4
		277	52.0	0.19	0.99	<1.70	0.87	1.67	10	F2-4
	1	120	32.0	0.27	0.99	<1.70	1.05	3.28	10	F1-4
		277	32.0	0.12	0.98	<1.70	1.05	3.28	12	F1-4
F32T8 28W	2	120	49.0	0.41	0.99	<1.70	0.87	1.78	10	F2-4
		277	49.0	0.18	0.99	<1.70	0.87	1.78	10	F2-4
	1	120	29.0	0.25	0.99	<1.70	1.10	3.79	10	F1-4
		277	29.0	0.11	0.98	<1.70	1.10	3.79	12	F1-4
F32T8 25W	2	120	44.0	0.37	0.99	<1.70	0.87	1.98	10	F2-4
		277	44.0	0.16	0.99	<1.70	0.87	1.98	10	F2-4
	1	120	27.0	0.23	0.99	<1.70	1.07	3.96	10	F1-4
		277	27.0	0.10	0.98	<1.70	1.07	3.96	12	F1-4
F25T8 25W	2	120	44.0	0.37	0.99	<1.70	0.88	2.00	10	F2-4
		277	44.0	0.16	0.99	<1.70	0.88	2.00	10	F2-4
	1	120	27.0	0.23	0.99	<1.70	1.10	4.07	12	F1-4
		277	27.0	0.10	0.97	<1.70	1.10	4.07	15	F1-4
F17T8 17W	2	120	30.0	0.26	0.99	<1.70	0.90	3.00	12	F2-4
		277	30.0	0.11	0.98	<1.70	0.90	3.00	12	F2-4
	1	120	20.0	0.17	0.99	<1.70	1.25	6.25	12	F1-4
		277	21.0	0.08	0.95	<1.70	1.25	5.95	15	F1-4
F40T8 40W	1	120	40.0	0.34	0.99	<1.70	1.00	2.50	10	F1-4
		277	41.0	0.15	0.99	<1.70	1.00	2.44	10	F1-4
PLL 25W	2	120	51.0	0.43	0.99	<1.70	0.88	1.73	10	P2-3
		277	51.0	0.19	0.98	<1.70	0.89	1.75	10	P2-3
	1	120	33.0	0.28	0.99	<1.70	1.01	3.06	10	P2-3
		277	33.0	0.12	0.97	<1.70	1.01	3.06	12	P2-3
PLL 28W	2	120	60.0	0.51	0.99	<1.70	0.93	1.55	10	P2-3
		277	60.0	0.22	0.99	<1.70	0.94	1.57	10	P2-3
	1	120	38.0	0.32	0.99	<1.70	1.07	2.82	10	P2-3
		277	38.0	0.14	0.98	<1.70	1.07	2.82	10	P2-3
PLL 40W	1	120	40.0	0.34	0.99	<1.70	0.80	2.00	10	P2-3
		277	40.0	0.15	0.98	<1.70	0.80	2.00	10	P2-3

CASE DIMENSIONS

LENGTH	9.57"
WIDTH	1.13"
HEIGHT	1.07"
MOUNTING	8.90"
UNIT WEIGHT	0.90 lbs



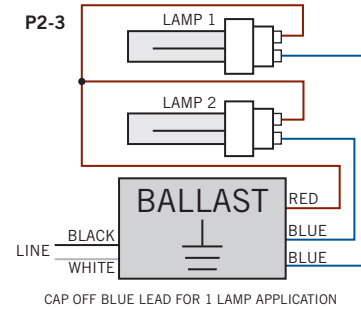
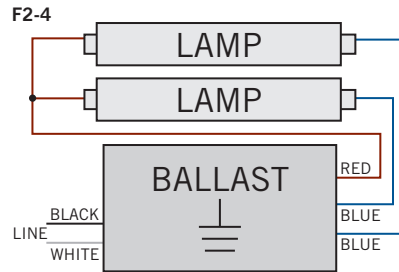
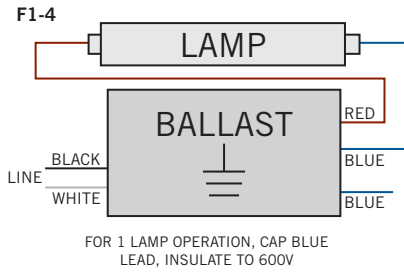
STANDARD LEAD LENGTHS*

BLACK	25.00"
WHITE	25.00"
BLUE	31.00"
RED	44.00"

*Consult Keystone for special lead length requirements.



WIRING DIAGRAM



Instant Start T8 ballasts require the use of Shunted lampholders/ sockets.

HOT SPOT LOCATION

