



| |
|--|
| KTLD-12-1-xxx-FDIM-AF1 |
| Constant current LED driver |
| Total power: 12W |
| Input voltage: 120Vac ± 10% |
| Number of outputs: One |
| UL8750 and UL879 |
| IP20 design for dry and damp location |
| Dimmable with leading / trailing edge dimmer |
| 5 year warranty |

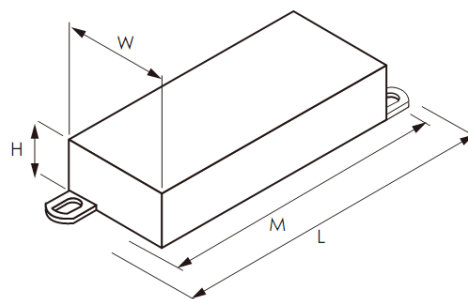
| ELECTRICAL SPECIFICATIONS: | | ENVIRONMENTAL SPECIFICATIONS: | |
|----------------------------|--|-------------------------------|---|
| Input voltage range: | 120Vac ± 10% | Operating temperature: | -30 to 60°C |
| Frequency: | 60Hz | Storage temperature: | -40 to 85°C |
| Power factor: | >0.9 @full load | Humidity: | 5% to 95% |
| Inrush current: | 20A @120V | MTBF: | 570,000 hours at 40°C ambient (~70°C Case temp) |
| Max input current: | 0.15A @120V | Maximum case Temperature | 90°C |
| THD: | <20% | | |
| Protection: | Over voltage, Over current and Short circuit | | |
| Withstand voltage | I/P – O/P 2k Vac | | |

| PRODUCT SPECIFICATIONS: | | | | | | | |
|-------------------------|------------------|----------------|----------------|------------|------------------------------------|---------|--------|
| Model Number | Max output power | Output Current | Output Voltage | Efficiency | Remote mounting distance (#18 AWG) | Class 2 | |
| | | | | | | US | Canada |
| KTLD-12-1-220-FDIM-AF1 | 12W | 220mA | 15 - 54V | 75% | 110 ft | √ | |
| KTLD-12-1-350-FDIM-AF1 | 12W | 350mA | 6 - 32V | 75% | 109 ft | √ | √ |
| KTLD-12-1-380-FDIM-AF1 | 12W | 380mA | 5 - 32V | 75% | 101 ft | √ | √ |
| KTLD-12-1-500-FDIM-AF1 | 12W | 500mA | 5 - 24V | 77% | 76 ft | √ | √ |
| KTLD-12-1-600-FDIM-AF1 | 12W | 600mA | 5 - 20V | 77% | 64 ft | √ | √ |
| KTLD-12-1-700-FDIM-AF1 | 12W | 700mA | 5 - 17V | 77% | 54 ft | √ | √ |

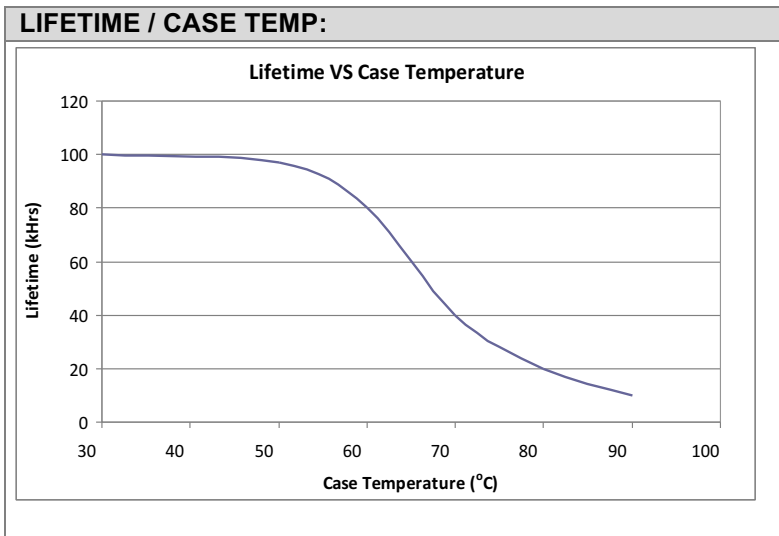
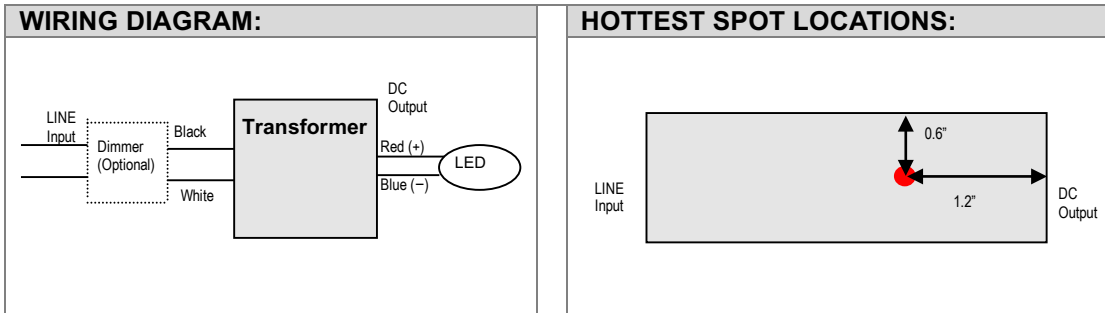
| SAFETY AND EMC COMPLIANCE: | |
|----------------------------|------------------------|
| UL/cUL | UL 8750 and UL 879 |
| FCC, 47CFR Part 15 | Class B Consumer Limit |
| EN61000-3-2 | |

| PHYSICAL DIMENSIONS: | |
|----------------------|---------|
| Length (L): | 4.86" |
| Width (W): | 1.30" |
| Height (H): | 0.79" |
| Mounting (M): | 4.57" |
| Weight: | 0.15 kg |

| WIRE SPECIFICATIONS: | |
|----------------------|---------------------------------------|
| Input: | 12", UL 1316 #18AWG (Black and White) |
| Output: | 12", UL 1316 #18AWG (Red and Blue) |



Keystone Technologies • 208 Progress Drive, Montgomeryville, PA 18936
 Phone (800) 464-2680 • Fax (888) 966-0556 • www.keystoneballast.com



Keystone Technologies • 208 Progress Drive, Montgomeryville, PA 18936
 Phone (800) 464-2680 • Fax (888) 966-0556 • www.keystoneballast.com