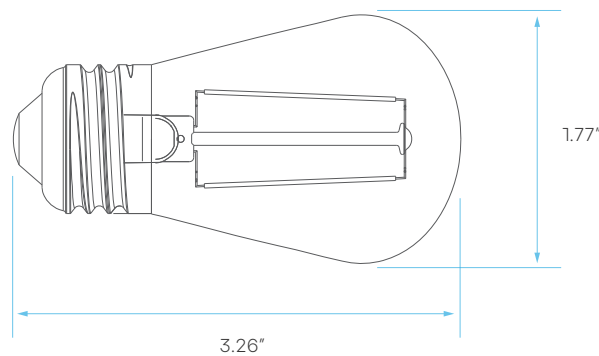


LED LAMP FILAMENT SERIES S14 DECORATIVE



S14



ELECTRICAL

MODEL	DESCRIPTION	POWER	INPUT VOLTS	LIFETIME	COST/YR	BASE
LR21730	LED0.5S14/RED/FIL	0.5	120V	15,000	\$ 0.06	E26
LR21731	LED0.5S14/PURPLE/FIL	0.5	120V	15,000	\$ 0.06	E26
LR21732	LED0.5S14/GREEN/FIL	0.5	120V	15,000	\$ 0.06	E26
LR21733	LED0.5S14/BLUE/FIL	0.5	120V	15,000	\$ 0.06	E26
LR21735	LED0.5S14/YELLOW/FIL	0.5	120V	15,000	\$ 0.06	E26
LR21736	LED0.5S14/ORANGE/FIL	0.5	120V	15,000	\$ 0.06	E26

PHOTOMETRIC

MODEL	DESCRIPTION	COLOR (CCT)	LIGHTS UP	FLOOD	FINISH	UL LISTED
LR21730	LED0.5S14/RED/FIL	RED	RED	300°	CLEAR	YES
LR21731	LED0.5S14/PURPLE/FIL	PURPLE	PURPLE	300°	CLEAR	YES
LR21732	LED0.5S14/GREEN/FIL	GREEN	GREEN	300°	CLEAR	YES
LR21733	LED0.5S14/BLUE/FIL	BLUE	BLUE	300°	CLEAR	YES
LR21735	LED0.5S14/YELLOW/FIL	YELLOW	YELLOW	300°	CLEAR	YES
LR21736	LED0.5S14/ORANGE/FIL	ORANGE	ORANGE	300°	CLEAR	YES