



# MH-1000A-480-KIT

## 1000W METAL HALIDE

### DESCRIPTION

1000W Metal Halide



**LAMP TYPE:** 1000W MH

**INPUT VOLTAGE:** Single Tap (480)

**CIRCUIT TYPE:** CWA (Without Ignitor)



### PRODUCT FEATURES

- ANSI designation: M47 or H36
- Line voltage: 480
- Regulation: 10%
- Frequency: 60 Hz
- Recommended fuse (A): 6
- Circuit type: CWA (Without Ignitor)
- Insulation class: 180°C/356°F
- Capacitor value: 24 MF
- Capacitor voltage rating: 480 V
- Capacitor temperature rating: 90°C/194°F
- Winding materials: Cu/Al
- Lamp starter: N/A
- Agency certification: RU, cRU
- Maximum distance to lamp: 15 ft
- 2 Year Warranty

### ELECTRICAL CHARACTERISTICS

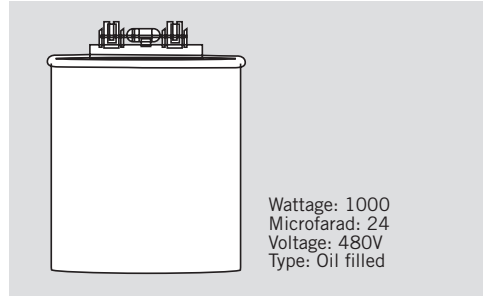
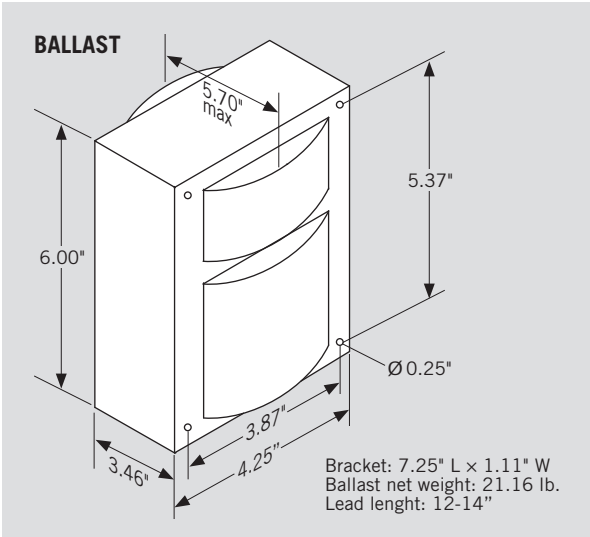
Line Voltage	Power Factor	Line Current			Input Power	Open Circuit Voltage	Minimum Start Temp	UL Temp Code	Wiring Diagram
		Operating	Open Circuit	Starting					
480V	High	2.30A	1.98A	1.49A	1080W	446V	-30°C/-22°F	C	H8A



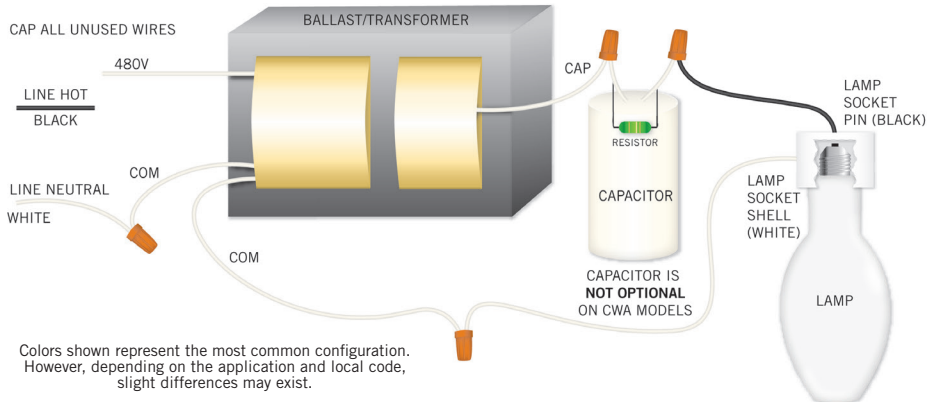
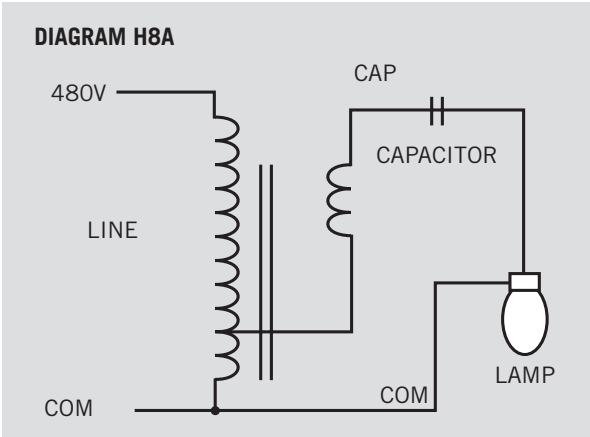
# MH-1000A-480-KIT

## 1000W METAL HALIDE

### PHYSICAL SPECIFICATIONS



### WIRING SPECIFICATIONS





# MH-1000A-480-KIT

## 1000W METAL HALIDE

### ORDERING INFORMATION

ORDER CODE	PACK QTY.	EASY CODE	UPC
MH-1000A-480-KIT	1	TBD	TBD

### CATALOG NUMBER BREAKDOWN

# MH-1000A-480-KIT

**1**      **2**      **3**      **4**      **5**

- 1** Metal Halide
- 2** Input Power
- 3** CWA Circuit
- 4** 480V, Single Tap
- 5** HID Replacement Kit