

## PRODUCT FEATURES

- ANSI Designation: M135 or M155
- Line Voltage: 120/208/240/277/480
- Regulation: 10%
- Frequency: 60 Hz
- Recommended Fuse (A): 10/7/5/5/3
- Circuit Type: CWA
- Insulation Class: 180°C
- Capacitor Value: 26 MF
- Capacitor Voltage Rating: 330 V
- Capacitor Temperature Rating: 90°C
- Winding Materials: Cu/Al
- Lamp Starter: XG-04
- Agency Certification: RU, cRU
- Maximum Distance to Lamp: N/A
- 2 Year Warranty

**LAMP TYPE:** 400W MH-PS

**INPUT VOLTAGE:** 5 Tap (120/208/240/277/480)

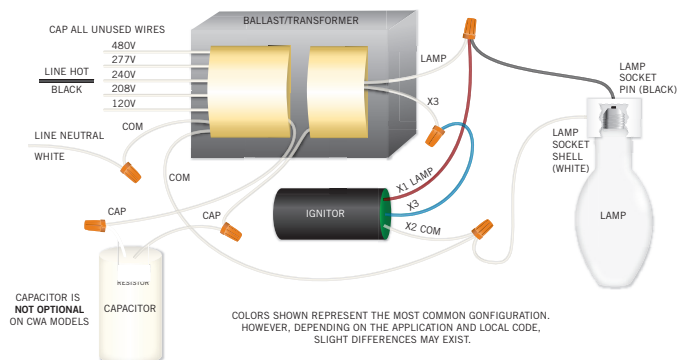
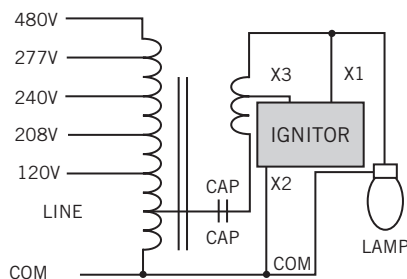
**CIRCUIT TYPE:** CWA

## ELECTRICAL SPECIFICATIONS

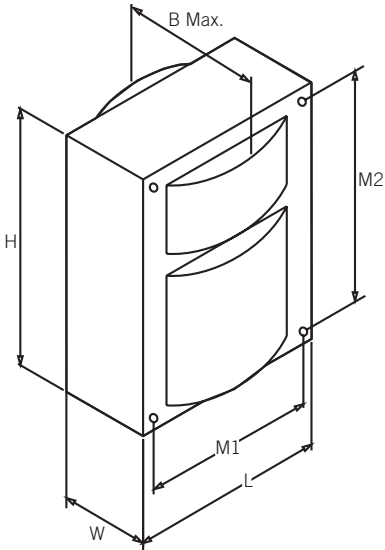
| LINE VOLT (V) | POWER FACTOR | LINE CURRENT |      |       | INPUT POWER (W) | OPEN CIRCUIT VOLTAGE (V) | MINIMUM START TEMP | UL TEMP CODE | WIRING DIAGRAM |
|---------------|--------------|--------------|------|-------|-----------------|--------------------------|--------------------|--------------|----------------|
|               |              | OPERATING    | OPEN | START |                 |                          |                    |              |                |
| 120           | High         | 3.85         | 2.55 | 3.12  | 454             | 277                      | -30°C              | D            | H9             |
| 208           | High         | 2.20         | 1.49 | 1.79  | 454             | 277                      | -30°C              | E            | H9             |
| 240           | High         | 1.92         | 1.29 | 1.61  | 454             | 277                      | -30°C              | E            | H9             |
| 277           | High         | 1.67         | 1.11 | 1.42  | 454             | 277                      | -30°C              | E            | H9             |
| 480           | High         | 0.96         | 0.64 | 0.80  | 454             | 277                      | -30°C              | E            | H9             |

## WIRING DIAGRAMS

**DIAGRAM H9**



## CASE STYLE/DIMENSIONS



### OVERALL DIMENSIONS

|               |
|---------------|
| LENGTH: 4.25" |
| WIDTH: 2.11"  |
| HEIGHT: 4.75" |
| B MAX: 4.72"  |

### MOUNTING HOLES

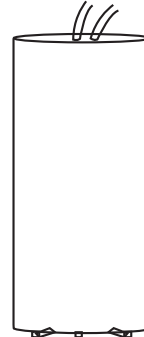
|                 |
|-----------------|
| DIAMETER: 0.25" |
| M1: 3.88"       |
| M2: 4.38"       |

### BRACKET DIMENSIONS

|               |
|---------------|
| LENGTH: 7.25" |
| WIDTH: 1.11"  |

**LEAD LENGTH:** 12-14"

**BALLAST NET WEIGHT:** 11.35 lbs



### CAPACITOR INFO

|                |
|----------------|
| WATTAGE: 400   |
| MICROFARAD: 26 |
| VOLTAGE: 330V  |
| TYPE: Dry Film |



### IGNITOR INFO

|                                     |
|-------------------------------------|
| LAMP TYPE: Pulse Start Metal Halide |
| WATTAGE: 400                        |
| TYPE:                               |

## ORDERING INFORMATION

| ORDER CODE   | PACKAGING STYLE | PACK QTY. | ITEM STATUS |
|--|-----------------|-----------|-------------|
| MPS-400A-P-KIT   |                 | 1         | Quick Ship  |
| *Kit Includes: Pre-Wired Ballast, Capacitor, Ignitor, Mounting Brackets, Mounting Hardware |                 |           |             |

## CATALOG NUMBER BREAKDOWN

# MPS-400A-P-KIT

