



PRODUCT FEATURES

- ANSI Designation: M135 or M155
- Line Voltage: 120/208/240/277
- Regulation: 10%
- Frequency: 60 Hz
- Recommended Fuse (A): 10/7/5/5
- Circuit Type: CWA
- Insulation Class: 180°C
- Capacitor Value: 26 MF
- Capacitor Voltage Rating: 330 V
- Capacitor Temperature Rating: 90°C
- Winding Materials: Cu/Al
- Lamp Starter: XG-04
- Agency Certification: RU, cRU
- Maximum Distance to Lamp: N/A
- 2 Year Warranty

LAMP TYPE: 400W MH-PS

INPUT VOLTAGE: Quad Tap (120/208/240/277)

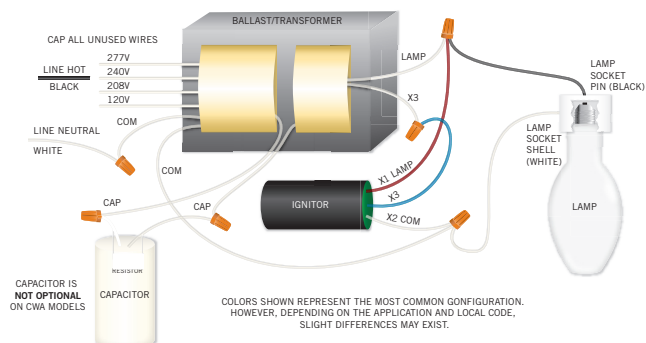
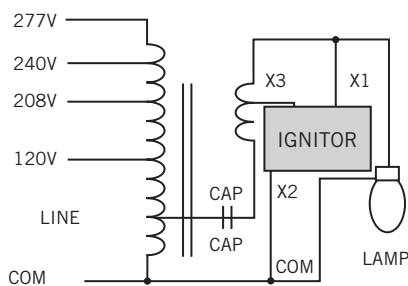
CIRCUIT TYPE: CWA

ELECTRICAL SPECIFICATIONS

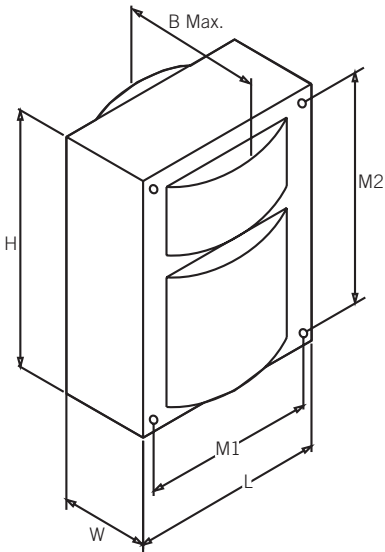
| LINE VOLT (V) | POWER FACTOR | LINE CURRENT | | | INPUT POWER (W) | OPEN CIRCUIT VOLTAGE (V) | MINIMUM START TEMP | UL TEMP CODE | WIRING DIAGRAM |
|---------------|--------------|--------------|------|-------|-----------------|--------------------------|--------------------|--------------|----------------|
| | | OPERATING | OPEN | START | | | | | |
| 120 | High | 3.86 | 2.49 | 3.05 | 454 | 270 | -30°C | D | H3 |
| 208 | High | 2.15 | 1.30 | 1.78 | 454 | 270 | -30°C | D | H3 |
| 240 | High | 1.88 | 1.22 | 1.51 | 454 | 270 | -30°C | D | H3 |
| 277 | High | 1.67 | 1.08 | 1.33 | 454 | 270 | -30°C | E | H3 |

WIRING DIAGRAMS

DIAGRAM H3



CASE STYLE/DIMENSIONS



OVERALL DIMENSIONS

| |
|---------------|
| LENGTH: 4.25" |
| WIDTH: 1.89" |
| HEIGHT: 4.75" |
| B MAX: 3.82" |

MOUNTING HOLES

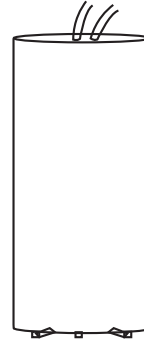
| |
|-----------------|
| DIAMETER: 0.25" |
| M1: 3.87" |
| M2: 4.38" |

BRACKET DIMENSIONS

| |
|---------------|
| LENGTH: 7.25" |
| WIDTH: 1.11" |

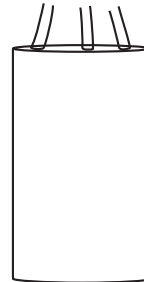
LEAD LENGTH: 12-14"

BALLAST NET WEIGHT: 9.92 lbs



CAPACITOR INFO

| |
|----------------|
| WATTAGE: 400 |
| MICROFARAD: 26 |
| VOLTAGE: 330V |
| TYPE: Dry Film |



IGNITOR INFO

| |
|-------------------------------------|
| LAMP TYPE: Pulse Start Metal Halide |
| WATTAGE: 400 |
| TYPE: |

ORDERING INFORMATION

| ORDER CODE | PACKAGING STYLE | PACK QTY. | ITEM STATUS |
|--|-----------------|-----------|-------------|
| MPS-400A-Q-KIT | | 1 | Quick Ship |
| *Kit Includes: Pre-Wired Ballast, Capacitor, Ignitor, Mounting Brackets, Mounting Hardware | | | |

CATALOG NUMBER BREAKDOWN

MPS-400A-Q-KIT

