

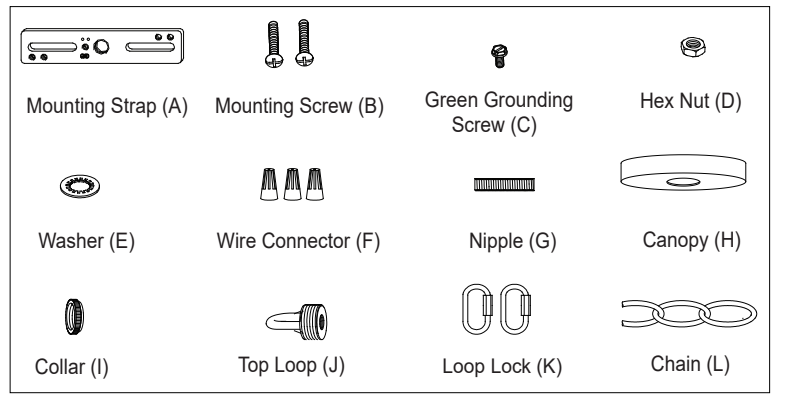
ASSEMBLY AND INSTALLATION INSTRUCTIONS

P0282

WARNING: TO AVOID RISK OF ELECTRICAL SHOCK, BE SURE TO SHUT OFF POWER BEFORE INSTALLING OR SERVICING THIS FIXTURE.

NOTES: 1. Before installing, consult local electrical codes for wiring and grounding requirements.
2. READ AND SAVE THIS INSTRUCTION.

Hardware Package (included):



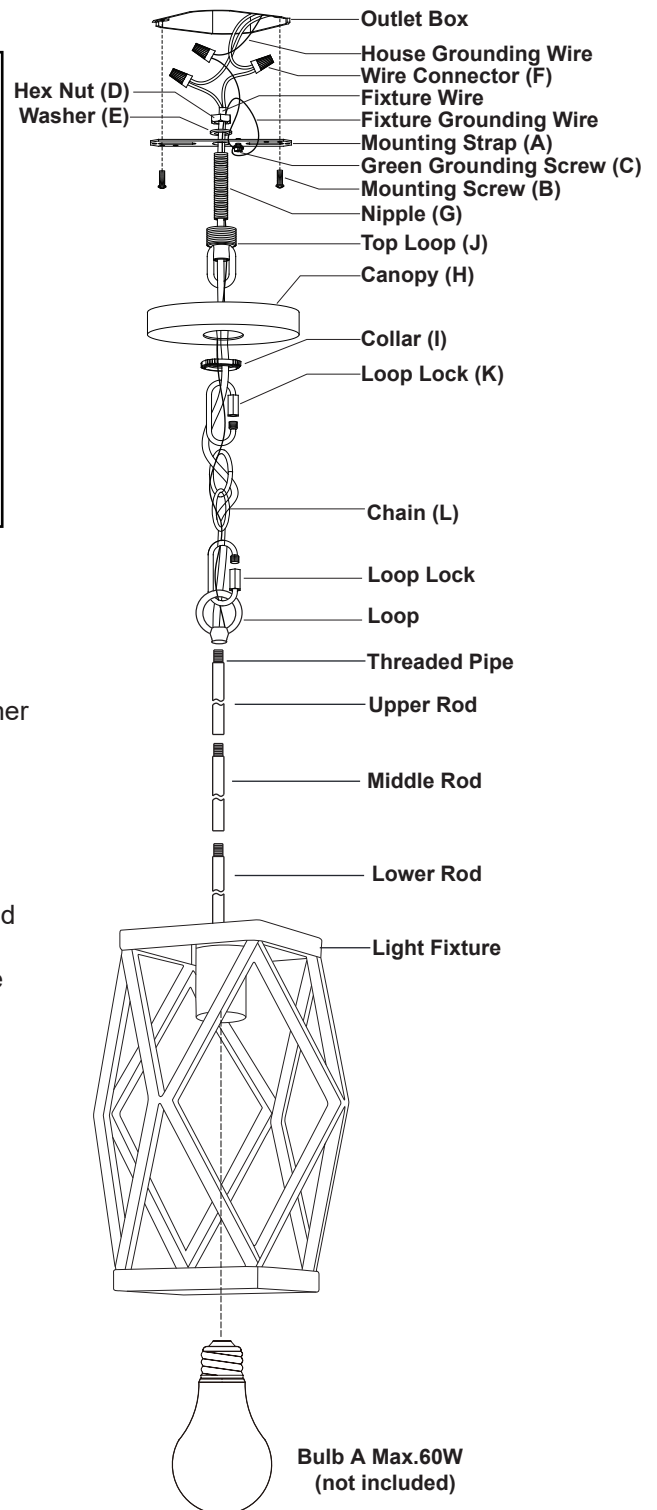
Installation Steps

Turn off the power at fuse or circuit box.

1. Attach the nipple to the mounting strap, then secure it with a washer and hex nut.
2. Attach mounting strap to the outlet box using two mounting screws.
3. Rod Connections:
 - a. Thread the fixture wire from the fixture through the lower rod, and then secure the lower rod onto fixture using the threaded pipe.
 - b. Thread the fixture wire through the middle rod, and then secure the middle rod onto the lower rod using the threaded pipe.
 - c. Thread the fixture wire through the upper rod, and then secure the upper rod onto the middle rod using the threaded pipe.

Note: Length adjustable from 11" to 60". Use fewer rods if shorter length is desired.

4. Secure the top loop to the nipple.
5. Choose the length of the chain you need, then weave the fixture wire and the fixture grounding wire through the chain, collar and canopy.
6. Connect one end of the chain with the loop by using a loop lock.
7. Connect the other end of the chain with the top loop by using another loop lock.



8. Pull out the source wires from the outlet box. Make wire connections using wire connectors as follows:
 - Connect the smooth-coated wire (marked) from the fixture to the black wire from the power source.
 - Connect the ribbed-coated wire (unmarked) from the fixture to the white wire from the power source.
 - Attach the fixture grounding wire to the mounting plate with the green grounding screw, and then connect it to the house grounding wire with a wire connector.
 Carefully put the wires back into the outlet box.

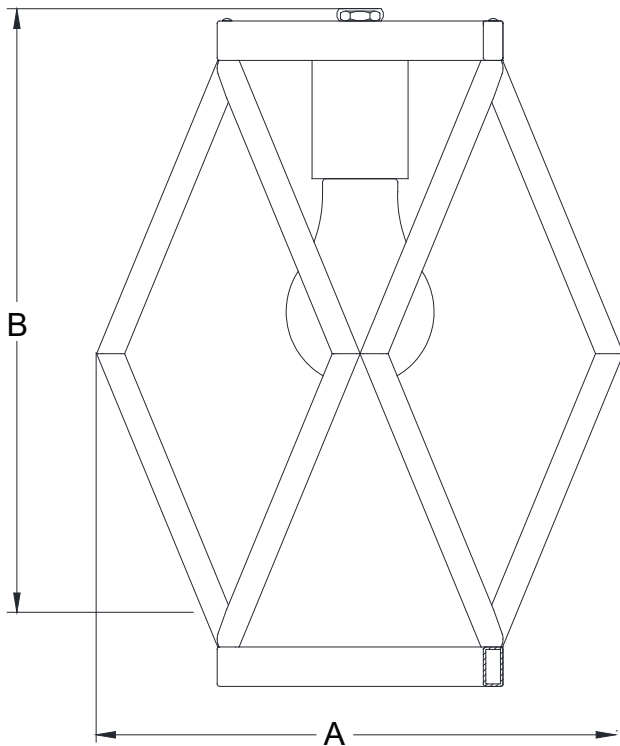
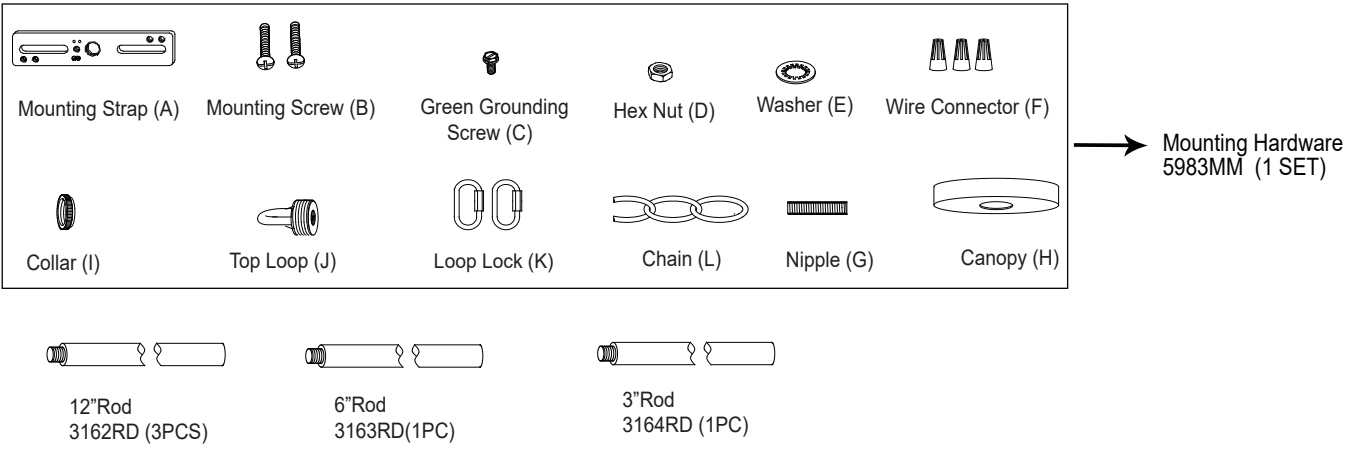
9. Attach the canopy to the mounting strap by inserting the top loop. then secure it with the collar.

10. Install a bulb (not included). See relamping label at socket area or packaging for maximum allowed wattage.

Turn on the power at fuse or circuit box.

The following parts are available for re-order if damaged or missing.

Spare Parts List:



A: 8-3/8"

B: 10-7/8"