

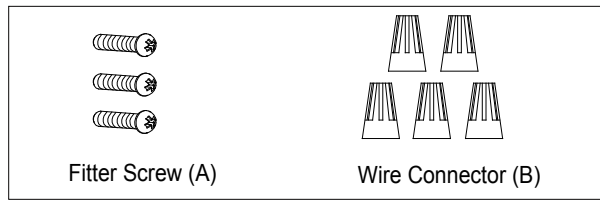
ASSEMBLY AND INSTALLATION INSTRUCTIONS

T0550

WARNING: Turn off the main power at circuit breaker before installing fixture.
AVERTISSEMENT: Coupez la source d'alimentation principale au panneau central de disjoncteurs avant d'installer le luminaire.

NOTE: 1. Before installing, consult local electrical codes for wiring and grounding requirements.
2. READ AND SAVE THESE INSTRUCTIONS.

Hardware Package (included):



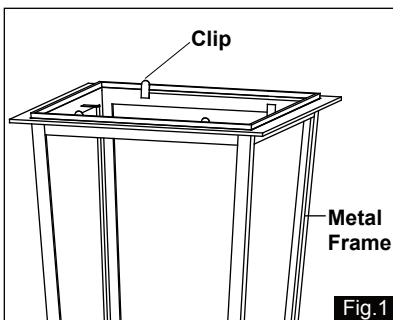
IMPORTANT:

The sensor has an excellent photocell function to enable the light to turn on at dusk and off at dawn automatically.

Installation Steps

Turn off the power at fuse or circuit box.

1. Unthread two set screws from the metal frame.
2. Unscrew the two set screws and remove metal frame from the fixture. Take a glass panel and gently slide it into the metal frame in place, secure it by pressing two clips on top side of the metal frame and two clips on the bottom of the metal frame. Repeat with the other glass panels. (See Fig.1)

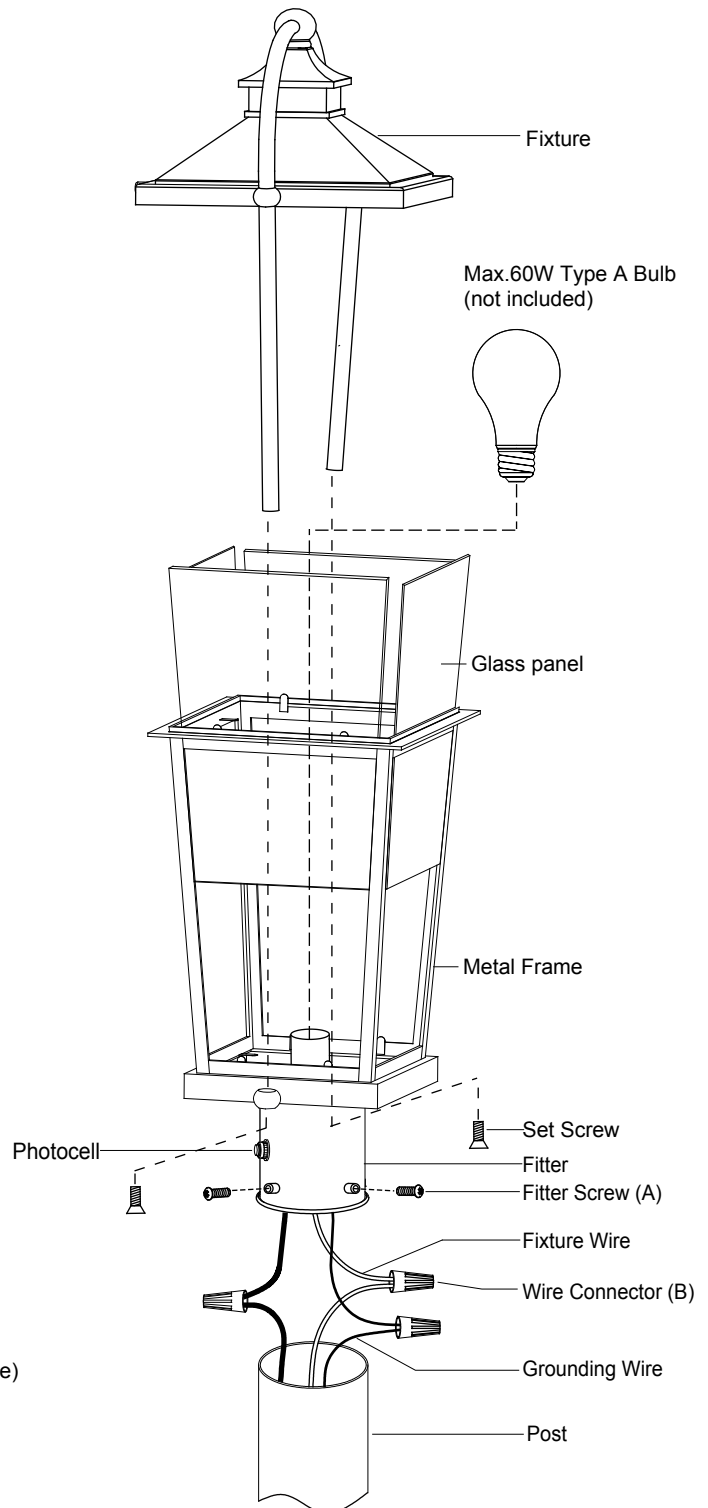


3. Install a bulb (not included). Check relamping label at socket area or packaging for maximum wattage allowed.
4. Pull out the source wires from the post. Make wire connections using wire connectors as follow.
 - Connect the hot wire (usually black insulation) from the fixture to the black wire from the post.
 - Connect the neutral wire (usually white insulation) from the fixture to the white wire from the post.
 - Attach the fixture grounding wire (usually green insulation or bare wire) to the grounding wire from the post.
 Carefully put the wires back into the post.

5. Attach the metal frame onto the fixture and tighten it with set screws.

6. Place the fitter on the post, then secure it with the fitter screws.

Turn on the power at fuse or circuit box.



Optional Installation: Disconnect Dusk-to-Dawn Photocell

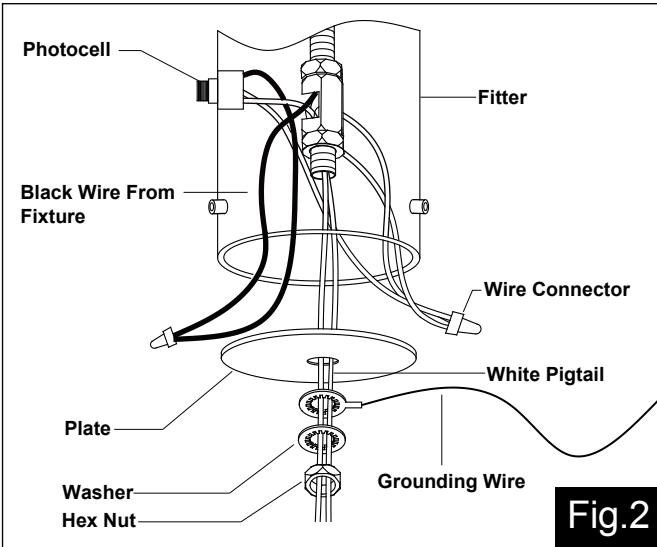


Fig.2

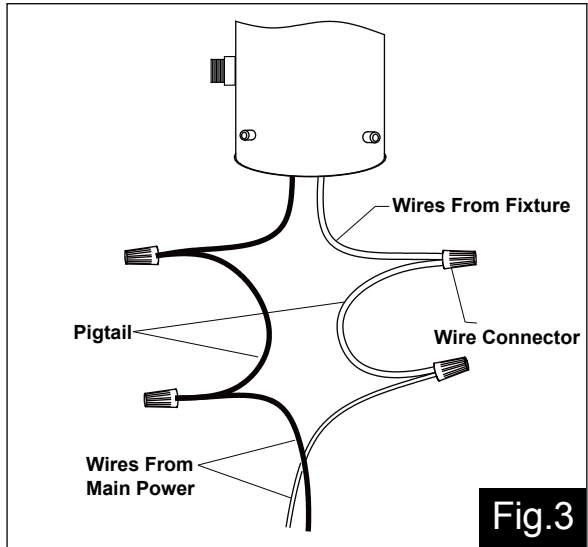


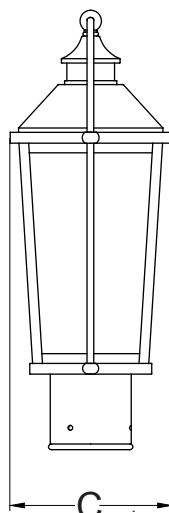
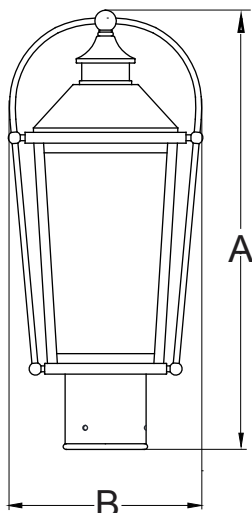
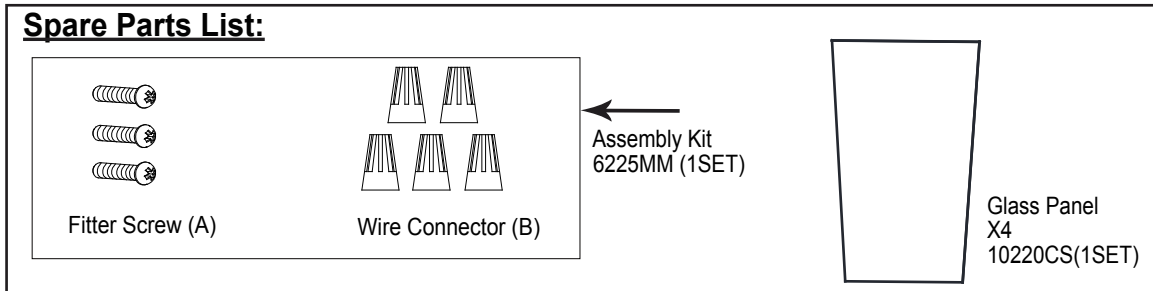
Fig.3

1. Turn off the power at the fuse or circuit box before starting installation.
2. Unthread the fitter screw and plate, and then Loosen the wire connectors connected with the wires from photocell. (See Fig.2)
Note: Do not remove the photocell to prevent water from seeping into the outlet box.
3. Take a white pigtail and black pigtail and make wire connections using wire connectors: (See Fig.3)
 - a. The black wire from the fixture to one end of the black pigtail.
 - b. The white wire from the fixture to one end of the white pigtail.
 - c. The other end of the black pigtail to the black wire from the power source.
 - d. The other end of the white pigtail to the white wire from the power source.
 Put all wires back into the back plate of the fixture.

Turn on the power at fuse or circuit box.

The following parts are available for re-order if damaged or missing.

Spare Parts List:



A: 17-3/4"

B: 7-3/4"

C: 6-1/2"