

# ASSEMBLY AND INSTALLATION INSTRUCTIONS

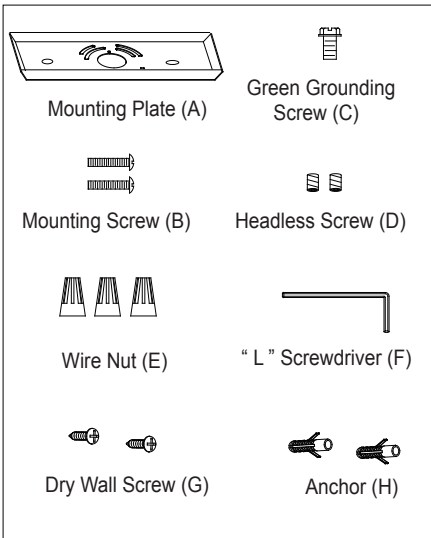
W0048

**WARNING: BE SURE TO SHUT OFF POWER AT THE MAIN FUSE OR CIRCUIT BREAKER BOX BEFORE INSTALLING OR SERVICING THIS FIXTURE.**

**NOTE: 1. Before installing, consult local electrical codes for wiring and grounding requirements.  
2. READ AND SAVE THESE INSTRUCTIONS.**

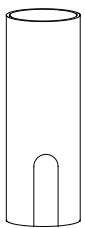
## Parts:

Parts Number (4595MM)

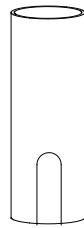


Parts Number (9380CW)

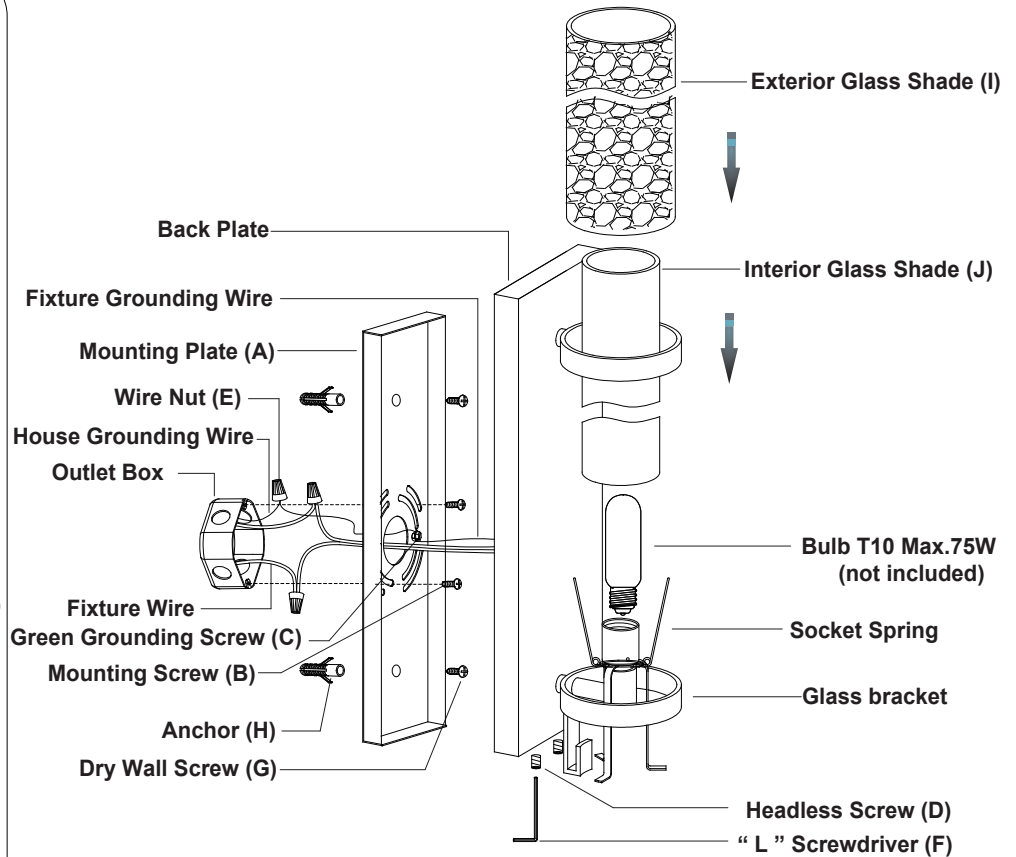
Parts Number (9381FO)



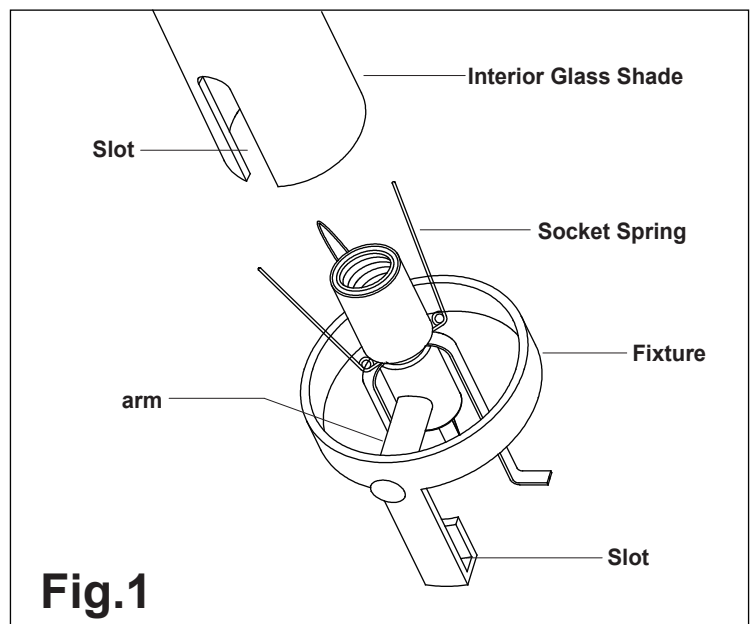
Exterior Glass Shade (I) (X1)



Interior Glass Shade (J) (X1)



1. Attach the mounting plate to the wall.
  - a) If the wall material is wood:  
Attach the mounting plate to the outlet box by using two mounting screws, then secure the dry wall screws through the set holes to the wall.
  - b) If the wall material is cement:  
Place the mounting plate to the outlet box and mark the target on the wall from the set hole for drilling two holes. Remove the mounting plate. Drill the holes and thread the anchors into the holes, then attach the mounting plate to the outlet box by using two mounting screws. Secure the dry wall screws through the set holes into the anchors.



**Fig.1**

2. Pull out the outlet wires and the house grounding wire from the outlet box. Make wire connections by using the wire nuts:
  - Connect the black (hot) wire from the fixture to the black (hot) wire from the power source.
  - Connect the white (neutral) wire from the fixture to the white (neutral) wire from the power source.
  - Attach the fixture grounding wire to the mounting plate with the green grounding screw. Then connect it to the house grounding wire with a wire nut.Carefully put the wires back into the outlet box.
3. Attach the back plate to the mounting plate, secure the headless screws from the bottom hole of the back plate onto the the bottom side of the mounting plate, using supplied " L " Screwdriver.
4. Install a bulb (not included). See relamping label at socket area or packaging for maximum allowed wattage.
5. Press the socket spring, place the interior glass shade into the glass bracket, adjust the slot of the interior glass shade to locate into the arm of the fixture, then place the exterior glass shade into the glass bracket, adjust the exterior glass shade to locate into the slot of the fixture.  
(See Fig. 1)
6. Turn on the power at the main fuse or circuit breaker box.

