

# ASSEMBLY AND INSTALLATION INSTRUCTIONS

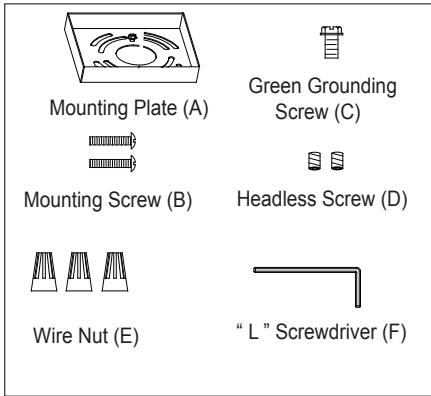
W0049

**WARNING: BE SURE TO SHUT OFF POWER AT THE MAIN FUSE OR CIRCUIT BREAKER BOX BEFORE INSTALLING OR SERVICING THIS FIXTURE.**

**NOTE: 1. Before installing, consult local electrical codes for wiring and grounding requirements.  
2. READ AND SAVE THESE INSTRUCTIONS.**

## Parts:

Parts Number (4596MM)



Parts Number (9382CW)

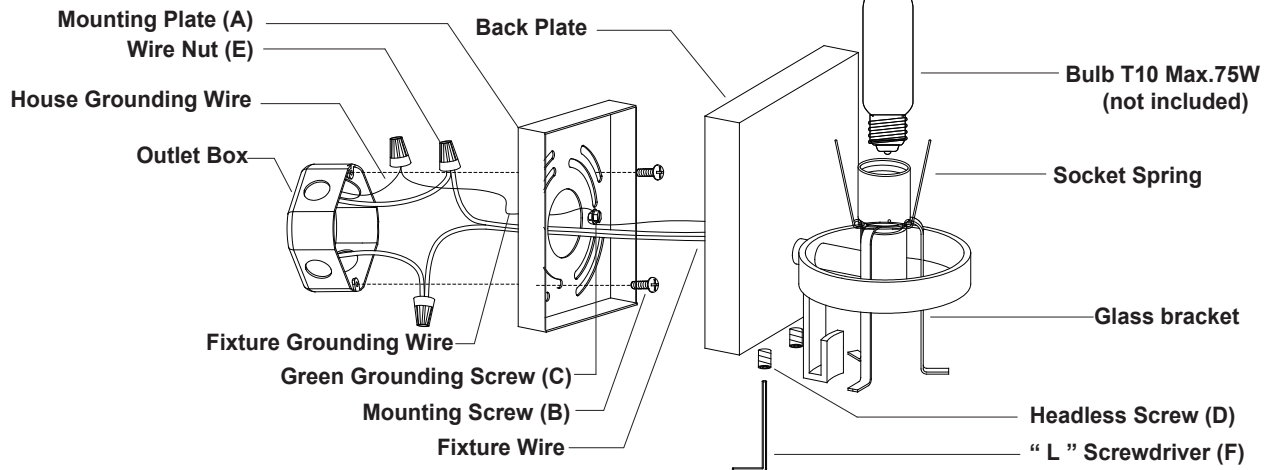
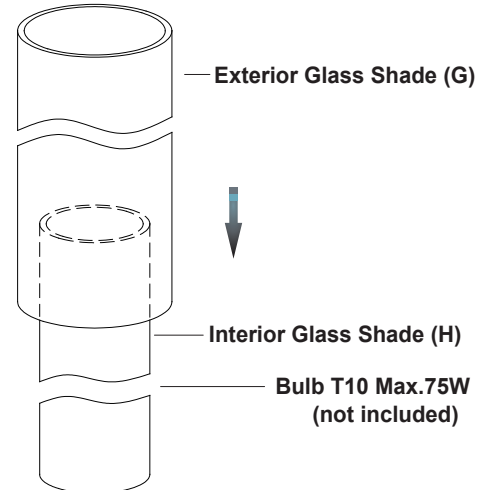


Exterior Glass Shade (G) (X1)

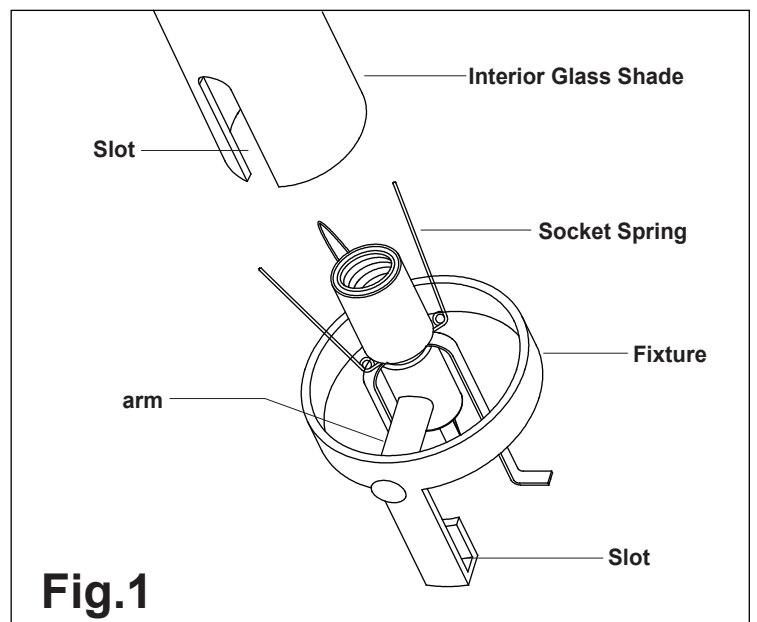
Parts Number (9383FO)



Interior Glass Shade (H) (X1)



1. Attach the mounting plate to the outlet box by using two mounting screws.
2. Pull out the outlet wires and the house grounding wire from the outlet box. Make wire connections by using the wire nuts:
  - Connect the black (hot) wire from the fixture to the black (hot) wire from the power source.
  - Connect the white (neutral) wire from the fixture to the white (neutral) wire from the power source.
  - Attach the fixture grounding wire to the mounting plate with the green grounding screw. Then connect it to the house grounding wire with a wire nut.
 Carefully put the wires back into the outlet box.



**Fig.1**

3. Attach the back plate to the mounting plate, secure the headless screws from the bottom hole of the back plate onto the the bottom side of the mounting plate.
4. Install bulbs (not included). See relamping label at socket area or packaging for maximum allowed wattage.
5. Press the socket spring, place the interior glass shade into the glass bracket, adjust the slot of the interior glass shade to locate into the arm of the fixture, then place the exterior glass shade into the glass bracket, adjust the exterior glass shade to locate into the slot of the fixture.  
(See Fig. 1)
6. Turn on the power at the main fuse or circuit breaker box.

