

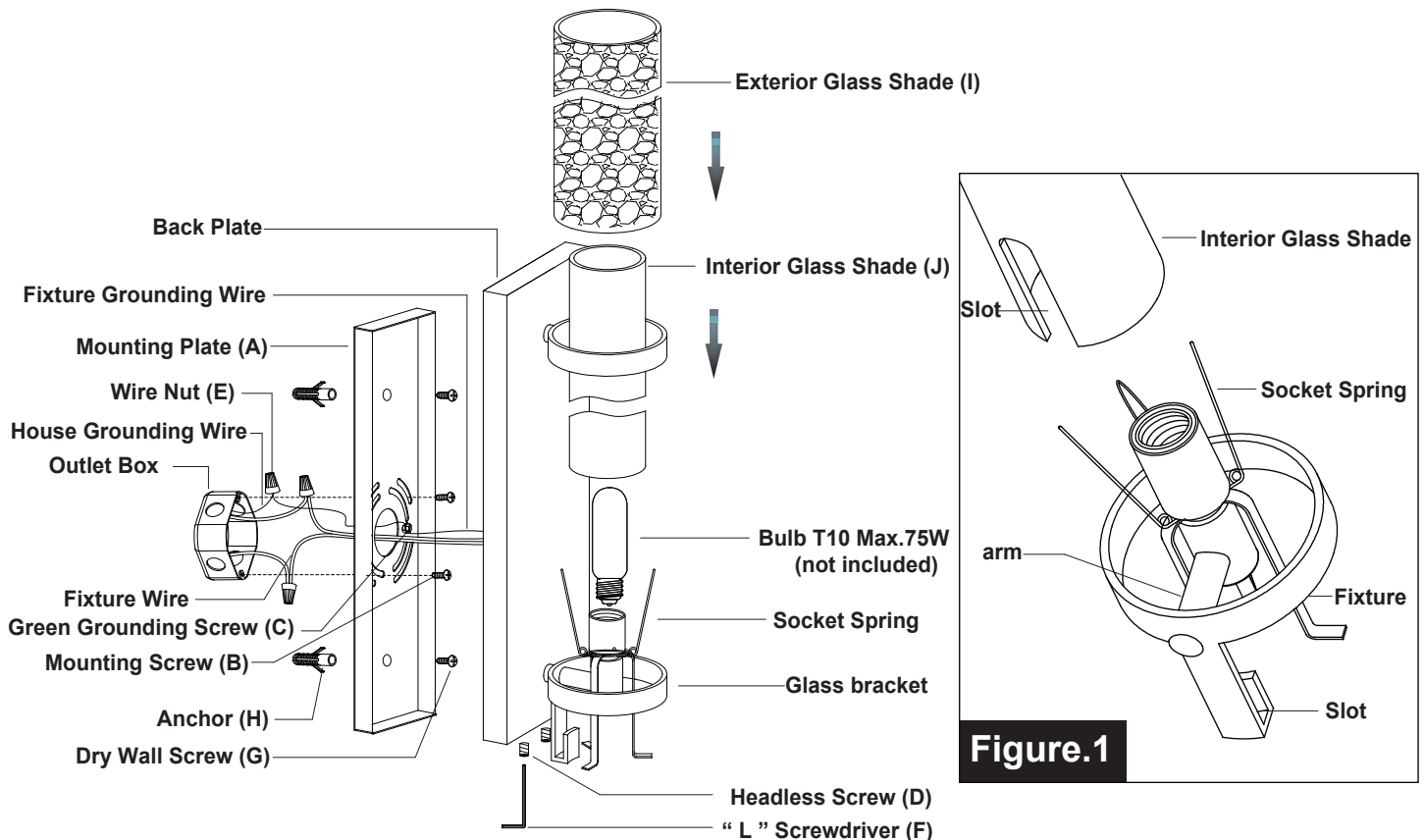
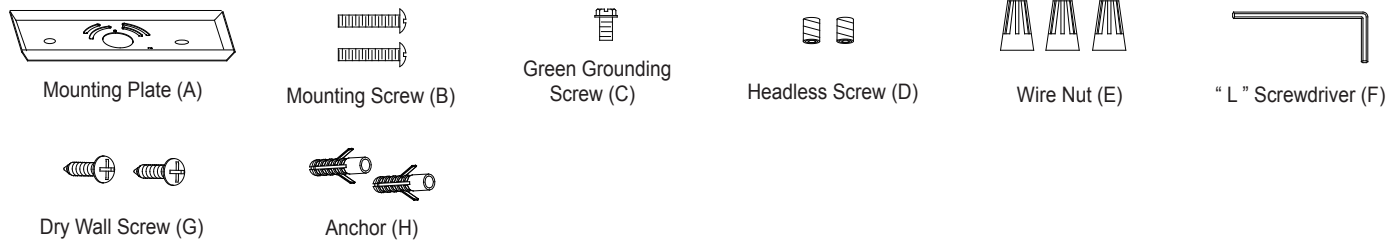
ASSEMBLY AND INSTALLATION INSTRUCTIONS

W0048 / W0124

WARNING: TO AVOID RISK OF ELECTRICAL SHOCK, BE SURE TO SHUT OFF POWER WHILE INSTALLING OR SERVICING THIS FIXTURE.

NOTES: 1. Before installing, consult local electrical codes for wiring and grounding requirements.
2. READ AND SAVE THESE INSTRUCTIONS.

Hardware Package (included):



Assembly Instructions:

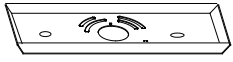





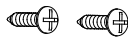

Turn off the power at fuse or circuit box.


1. Attach the mounting plate to the wall.
 - a) If the wall material is wood:
Attach the mounting plate to the outlet box by using two mounting screws, then secure the dry wall screws through the set holes to the wall.
 - b) If the wall material is cement:
Place the mounting plate to the outlet box and mark the target on the wall from the set hole for drilling two holes. Remove the mounting plate. Drill the holes and thread the anchors into the holes, then attach the mounting plate to the outlet box by using two mounting screws. Secure the dry wall screws through the set holes into the anchors.

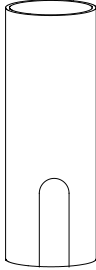
2. Pull out the source wires from the outlet box. Make wire connections using wire nuts as follows:
 - Connect the black (hot) wire from the fixture to the black (hot) wire from the power source.
 - Connect the white (neutral) wire from the fixture to the white (neutral) wire from the power source.
 - Attach the fixture grounding wire to the mounting plate with the green grounding screw. Then connect it to the house grounding wire with a wire nut. If your outlet box does not have a house grounding wire, then wrap the fixture grounding wire around the green grounding screw.
 Carefully put the wires back into the outlet box.
3. Attach the back plate to the mounting plate, secure the headless screws from the bottom hole of the back plate onto the the bottom side of the mounting plate, using supplied " L " Screwdriver.
4. Install bulb (not included). See relamping label at socket area or packaging for maximum allowed wattage.
5. Press the socket spring, place the interior glass shade into the glass bracket, adjust the slot of the interior glass shade to locate into the arm of the fixture, then place the exterior glass shade into the glass bracket, adjust the exterior glass shade to locate into the slot of the fixture. (See Fig. 1)

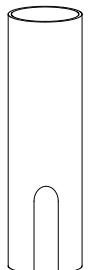
Turn on the power at the main fuse or circuit breaker box.

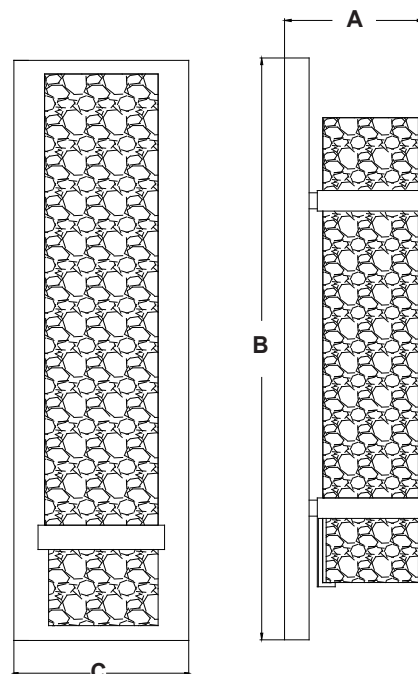
The following parts are available for re-order if damaged or missing.

 Mounting Plate (A)	 Mounting Screw (B)	 Green Grounding Screw (C)
 Headless Screw (D)	 Wire Nut (E)	 " L " Screwdriver (F)
 Dry Wall Screw (G)	 Anchor (H)	


 Assembly Kit
 (4595MM For W0048)
 (5098MM For W0124)
 (1 SET)


 Exterior Glass Shade (I)
 (9380CW)
 (1 PC)


 Interior Glass Shade (J)
 (9381FO)
 (1 PC)



A: 4"
B: 18-1/2"
C: 4-1/2"