

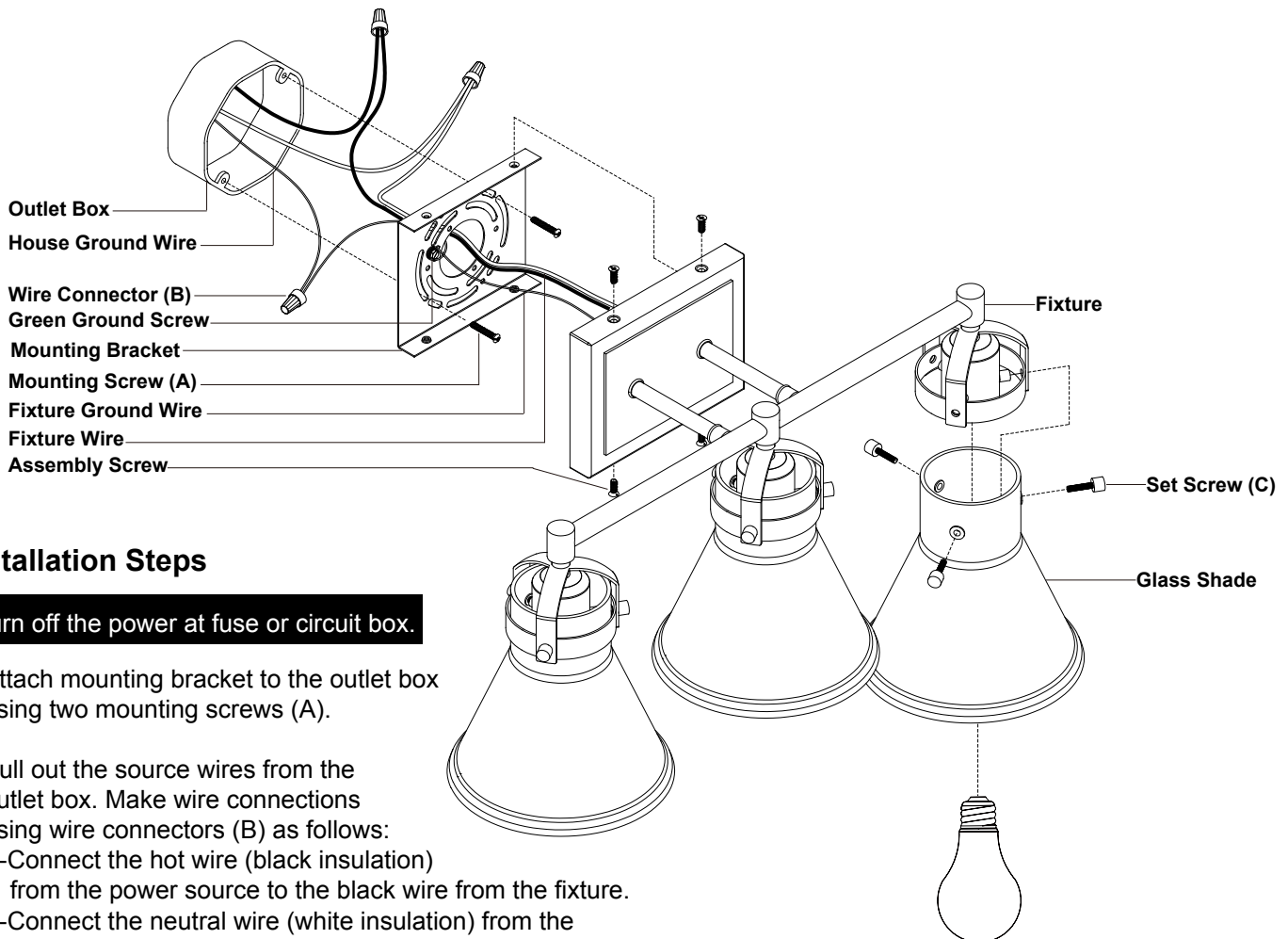
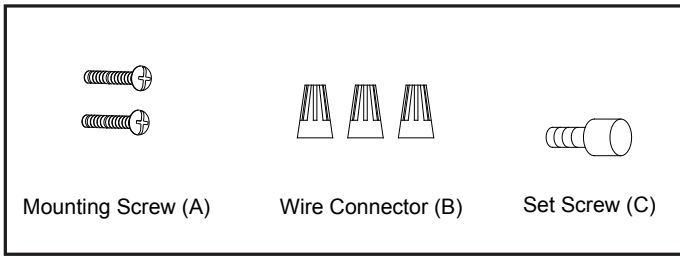
# ASSEMBLY AND INSTALLATION INSTRUCTIONS

W0412

**WARNING:** TO AVOID RISK OF ELECTRICAL SHOCK, BE SURE TO SHUT OFF POWER WHILE INSTALLING OR SERVICING THIS FIXTURE.

NOTES: 1. Before installing, consult local electrical codes for wiring and grounding requirements.  
2. Read and save these instructions.

## Hardware Package (included):



## Installation Steps

Turn off the power at fuse or circuit box.

1. Attach mounting bracket to the outlet box using two mounting screws (A).
2. Pull out the source wires from the outlet box. Make wire connections using wire connectors (B) as follows:
  - Connect the hot wire (black insulation) from the power source to the black wire from the fixture.
  - Connect the neutral wire (white insulation) from the power source to the white wire from the fixture.
  - Attach the fixture ground wire (bare wire) to the mounting plate with the green ground screw, or connect to the source ground wire if available.Carefully put the wires back into the outlet box.
3. Attach the fixture to the mounting bracket, then secure it with four assembly screws.

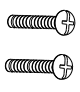
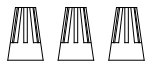
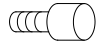
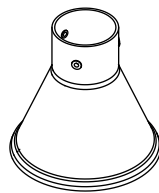
Max. 60W Type A / ST Bulb  
(not included)

4. Unscrew set screws (C) from the glass holder, attach the glass shade onto the glass holder and secure them with set screws (C).
5. Install 3 x 60W max. medium base bulbs (not included). Check relamping label at socket area or packaging for maximum wattage allowed.

**Turn on the power at fuse or circuit box.**

The following parts are available for re-order if damaged or missing.

**Spare Parts List:**

 Mounting Screw (A)	 Wire Connector (B)	 Set Screw (C)	← Assembly Kit 6511MM (1 SET)	 Glass Shade 10297CS
---	---	--	----------------------------------	---

