

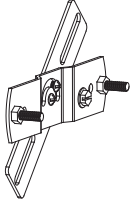
ASSEMBLY AND INSTALLATION INSTRUCTIONS

W0415

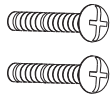
WARNING: TO AVOID RISK OF ELECTRICAL SHOCK, BE SURE TO SHUT OFF POWER WHILE INSTALLING OR SERVICING THIS FIXTURE.

NOTES: 1. Before installing, consult local electrical codes for wiring and grounding requirements.
2. Read and save these instructions.

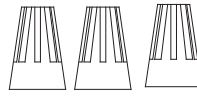
Hardware Package (included):



Cross Bar Unit (A)



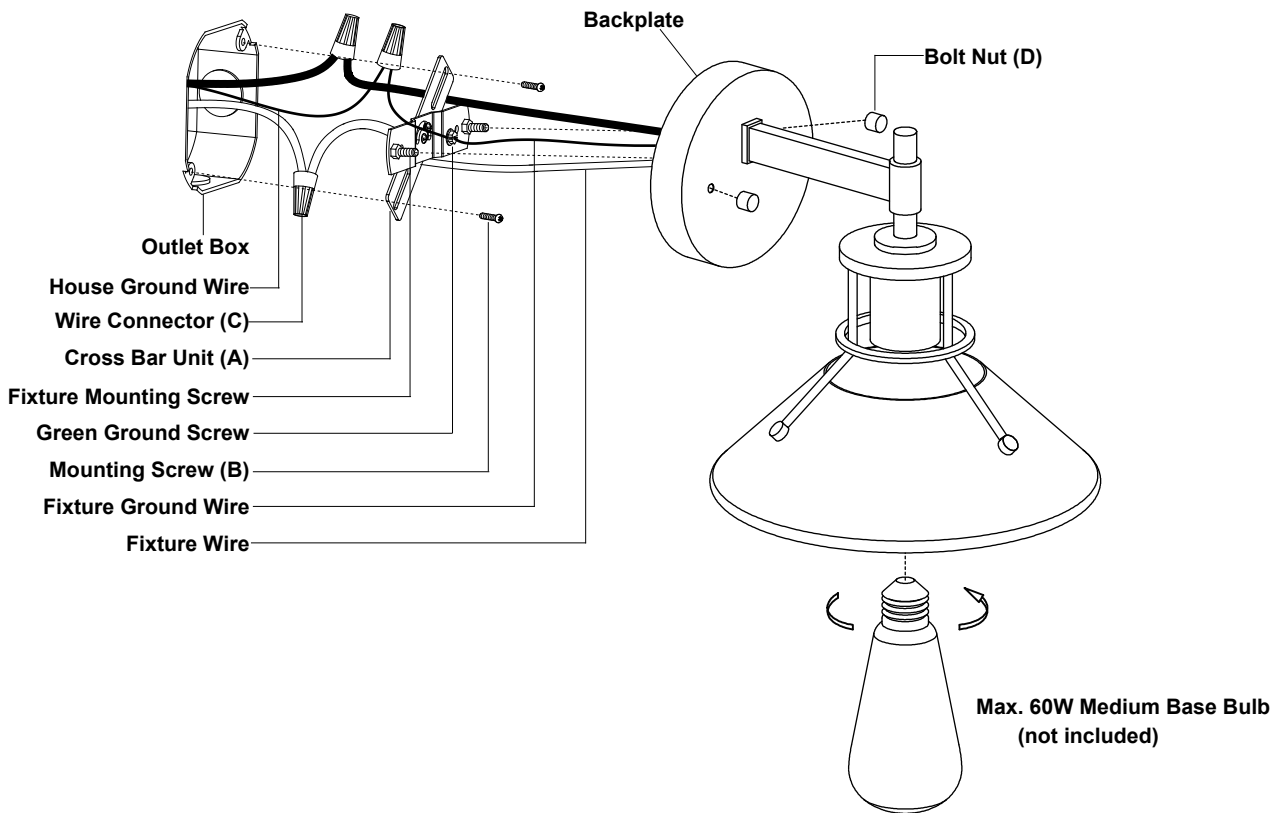
Mounting Screw (B)



Wire Connector (C)



Bolt Nut (D)



Installation Steps

Turn off the power at fuse or circuit box

1. Attach the cross bar unit (A) to the outlet box by using two mounting screws (B). Adjust the length of the preinstalled fixture mounting screws if necessary.

Note: Make sure that the fixture mounting screws are lined up horizontally to make the fixture level.

2. Pull out the source wires from the outlet box. Make wire connections using wire connectors (C) as follows:

- Connect the hot wire (black insulation) from the fixture to the black wire from the power source.
- Connect the neutral wire (white insulation) from the fixture to the white wire from the power source.
- Attach the fixture ground wire (bare wire) to the cross bar unit (A) with green ground screw. Then, depending on local code, connect it to the house ground wire with the wire connector (C).

Carefully put all of the wires back into the outlet box.

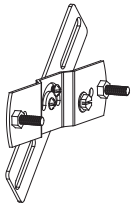
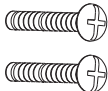


3. Attach the backplate of the fixture to the cross bar unit (A) by aligning and inserting the two fixture mounting screws from the cross bar unit (A) into the open holes on the backplate, then secure the backplate with two bolt nuts (D).

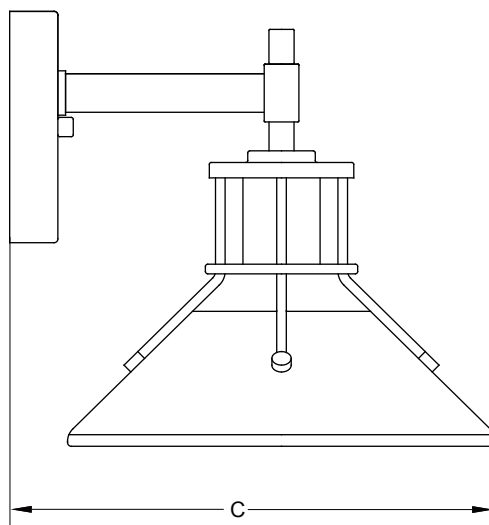
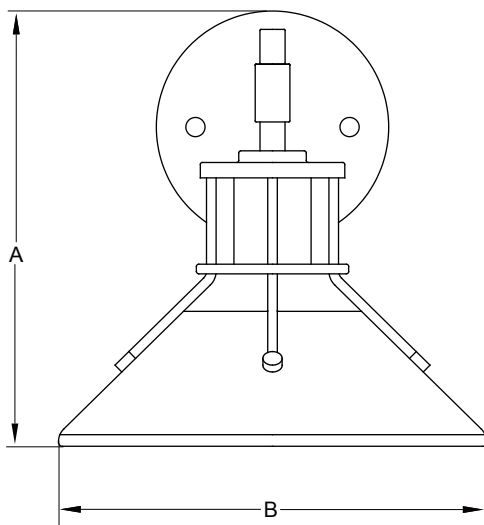
4. Install 1 x 60W medium base bulb (not included). See relamping label at socket area or packaging for maximum wattage allowed.

Turn on the power at fuse or circuit box

The following parts are available for re-order if damaged or missing.

Spare Parts List:

				→ Assembly Kit 6401MM (1 SET)
Cross Bar Unit (A)	Mounting Screw (B)	Wire Connector (C)	Bolt Nut (D)	



A: 9"

B: 8-3/4"

C: 10"